

UPC-W215

21.5" Universal Panel Computer – Intel Whiskey Lake



Feature

- 21.5" Universal Panel Computer with Intel Whiskey-Lake processor
- Intel® Core™ i3-8145UE processor
- Windows 10 IoT Enterprise and Linux Ubuntu 16.04
- Projected capacitive multi-touchscreen supporting glove, wet, stylus modes
- Flat and bezel-free touch display
- Fanless design with solid aluminum alloy enclosure
- Front IP65 water & dust-proof
- Flexible mounting selections to accommodate various scenarios
- Optional built-in peripherals and networking modules for various industrial applications
- Expansion modules for various industrial applications

■ Specification

UPC-W215

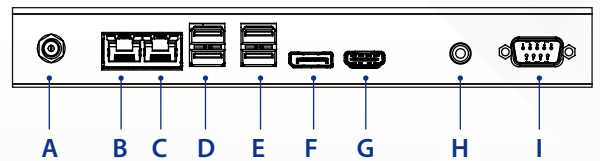
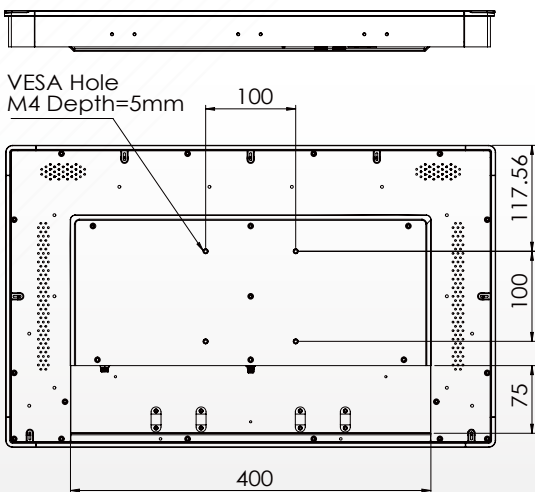
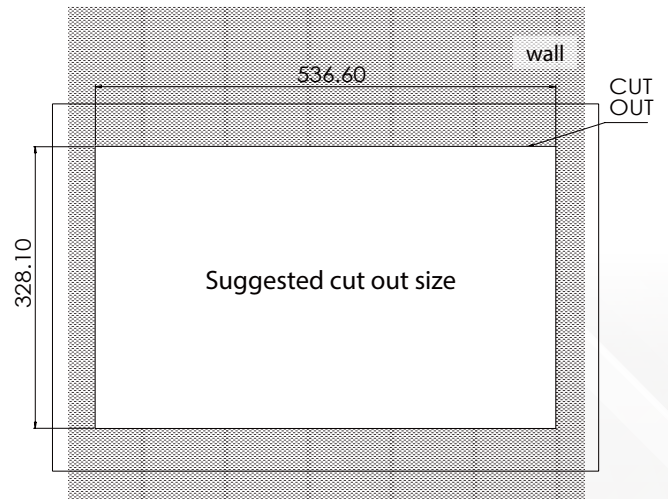
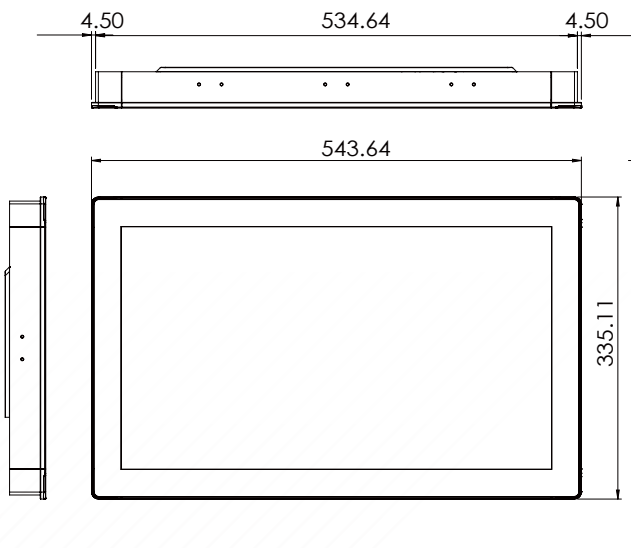
Display & Touch Screen	Size	21.5 TFT LCD
	Resolution	1920 x 1080
	Brightness	250 nits (typ.)
	Contrast Ratio	3000 (typ.)
	Viewing Angle	80/80/80/80
	Touch Technology	10 points P-Cap touch panel, support wet mode, glove mode and 5mm stylus. Optional 5-wire true flat Resistive touch panel
System specification	Processor	Intel® Core™ i3-8145UE processor
	Operating System	Windows 10 IoT Enterprise optional for Ubuntu 16.04 Kernel 4.8.0-36-generic x86_64 and up
	System Memory	8GB
	Storage	256GB
Wireless communication	WLAN (WiFi)	Optional, WIFI 802.11 a/b/g/n/ac
	Bluetooth	Optional, BT 5.0
	WWAN (3G/4G/LTE Cat 1 & Cat 4)	By request, upon customer's request & region
External I/O	Audio	Line out 1 x Line out
	USB	4 x USB 3.1 Gen1 Type A
	Video	1 x DP++ output 1 x HDMI output
	Ethernet (LAN)	2 x 10/100/1000 GbE RJ45, with Intel Ethernet Controller i210IT and PHY i219LM
	COM Port	1 x RS232/422/485 D-Sub 9
	Digital I/O	By request
	Expansion Module	Optional module 2K Camera RFID/NFC Reader Barcode Reader
Mechanical & Environment	Dimension (W x L x H)	543.64 x 335.11 x 40(mm)
	Weight	8.2 kg
	Mounting	Panel Mount / VESA Mount (100mm X 100mm)
	Operating Temperature	0°C ~ 50°C
	Storage Temperature	-20°C ~ 60°C
	Operating Humidity	10% ~ 90%, non-condensing
	IP Standard	Front IP65
Power Management	Power Input	1 x 2.5mm DC jack / 12~24V DC in
	Power consumption	57 watt
	Adaptor	12V/7.5A Adaptor 100~240Vac
Certification		CE, FCC

Expansion Module



UPC-M01	2K Camera
UPC-M05	HF RFID/NFC Reader
UPC-M07	2D Barcode Reader

Dimension & IO



- A.** Power Input
- B.** Giga bit Ethernet Port RJ45
- C.** Giga bit Ethernet Port RJ45
- D.** 2x USB3.1 Gen 2
- E.** 2x USB3.1 Gen 2
- F.** DP++ Output
- G.** HDMI Output
- H.** Audio Line Out
- I.** RS232/422/485 Serial Port