

UPC-W101

10.1" Universal Panel Computer – Intel Whiskey Lake



Feature

- 10.1" Universal Panel Computer with Intel Whiskey-Lake processor
- Intel® Core™ i3-8145UE processor
- Windows 10 IoT Enterprise and Linux Ubuntu 16.04
- Projected capacitive multi-touchscreen supporting glove, wet, stylus modes
- Flat and bezel-free touch display
- Fanless design with solid aluminum alloy enclosure
- Front IP65 water & dust-proof
- Flexible mounting selections to accommodate various scenarios
- Optional built-in peripherals and networking modules for various industrial applications
- Expansion modules for various industrial applications

■ Specification

UPC-W101

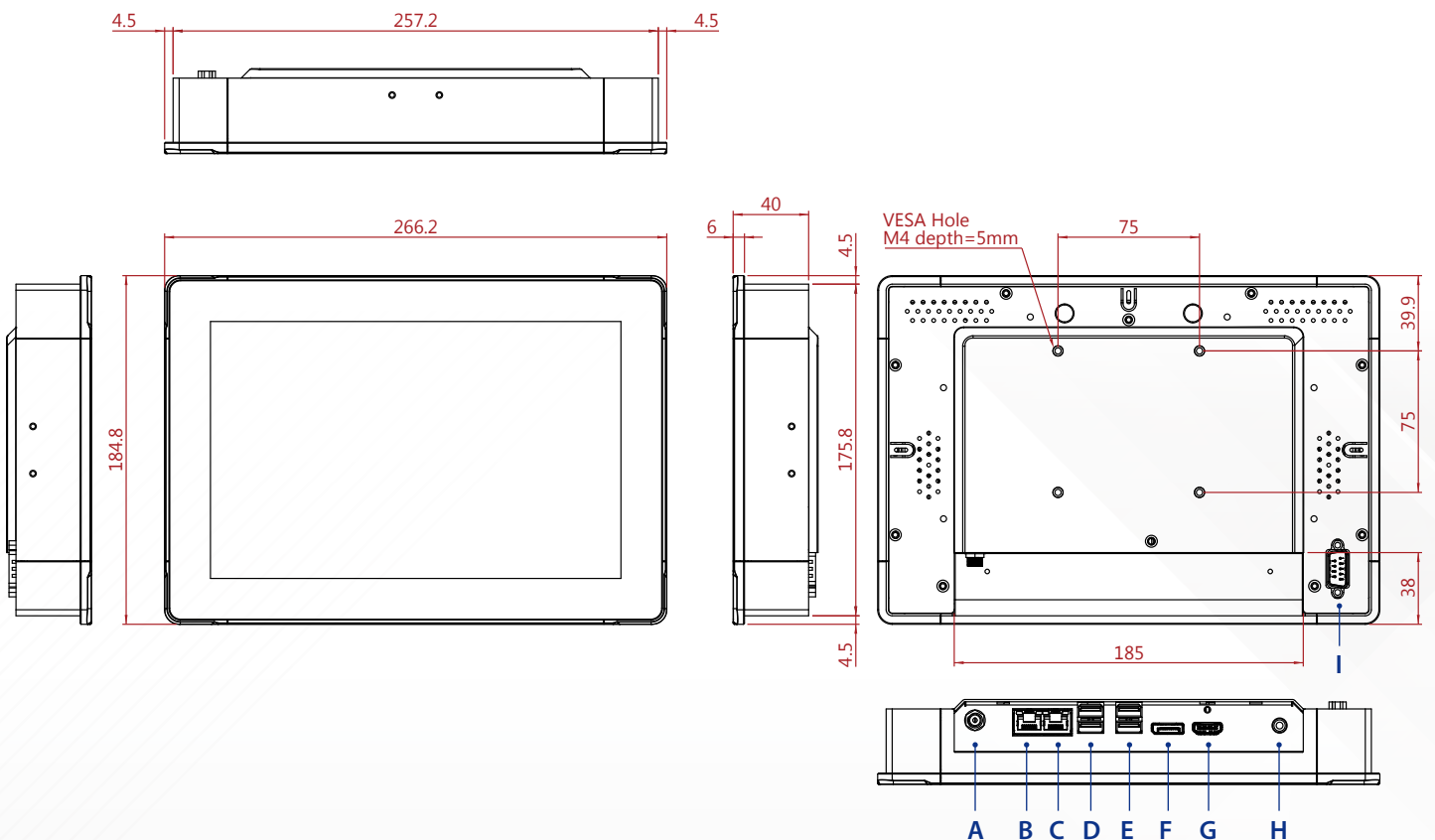
Display & Touch Screen	Size	10.1 TFT LCD	
	Resolution	1280 x 800	
	Brightness	400 nits (typ.)	
	Contrast Ratio	800 (typ.)	
	Viewing Angle	85/85/85/85	
System specification	Touch Technology	10 points P-Cap touch panel, support wet mode, glove mode and 5mm stylus. Optional 5-wire true flat Resistive touch panel	
	Processor	Intel® Core™ i3-8145UE processor	
	Operating System	Windows 10 IoT Enterprise optional for Ubuntu 16.04 Kernel 4.8.0-36-generic x86_64 and up	
	System Memory	8GB	
Wireless communication	Storage	256GB	
	WiFi	Optional, WIFI 802.11 a/b/g/n/ac	
	Bluetooth	Optional, BT 5.0	
External I/O	WWAN (3G/4G/LTE Cat 1 & Cat 4)	By request, upon customer's request & region	
	Audio	Line out	1 x Line out
		USB	4 x USB 3.1 Gen1 Type A
	Video	1 x DP++ output	
		1 x HDMI output	
		Ethernet (LAN)	2 x 10/100/1000 GbE RJ45, with Intel Ethernet Controller i210IT and PHY i219LM
	COM Port	1 x RS232/422/485 D-Sub 9	
Digital I/O	By request		
Expansion Module	Optional module	2K Camera RFID/NFC Reader Barcode Reader	
	Dimension (W x L x H)	266.2 x 184.8 x 40 (mm)	
Mechanical & Environment	Weight	2.5 kg	
	Mounting	Panel Mount / VESA Mount (75mm X 75mm)	
	Operating Temperature	0°C ~ 50°C	
	Storage Temperature	-20°C ~ 60°C	
	Operating Humidity	10% ~ 90%, non-condensing	
	IP Standard	Front IP65	
Power Management	Power Input	1 x 2.5mm DC jack / 12~24V DC in	
	Power consumption	50 watt	
	Adaptor	12V/7.5A Adaptor 100~240Vac	
Certification		CE, FCC	

Expansion Module



UPC-M01	2K Camera
UPC-M05	HF RFID/NFC Reader
UPC-M07	2D Barcode Reader

Dimension & IO



A B C D E F G H

- A. Power Input
- B. Giga bit Ethernet Port RJ45
- C. Giga bit Ethernet Port RJ45
- D. 2 x USB3.1 Gen 2
- E. 2 x USB3.1 Gen 2
- F. DP++ Output
- G. HDMI Output
- H. Audio Line Out
- I. RS232/422/485 Serial Port