

# UPC-N215

## 21.5" Universal Panel Computer – NXP i.MX8M



### Feature

- 21.5" Universal Panel Computer with NXP i.MX8M processor
- NXP i.MX8M Quad ARM 4x Cortex A53 1.3GHz Processor
- Android 10
- Projected capacitive multi-touchscreen supporting glove, wet, stylus modes
- Flat and bezel-free touch display
- Fanless design with solid aluminum alloy enclosure
- Front IP65 water & dust-proof
- Flexible mounting selections to accommodate various scenarios
- Optional built-in peripherals and networking modules for various industrial applications
- Expansion modules for various industrial applications

### ■ Specification

#### UPC-N215

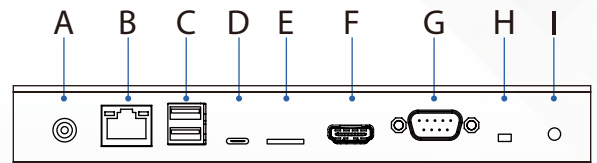
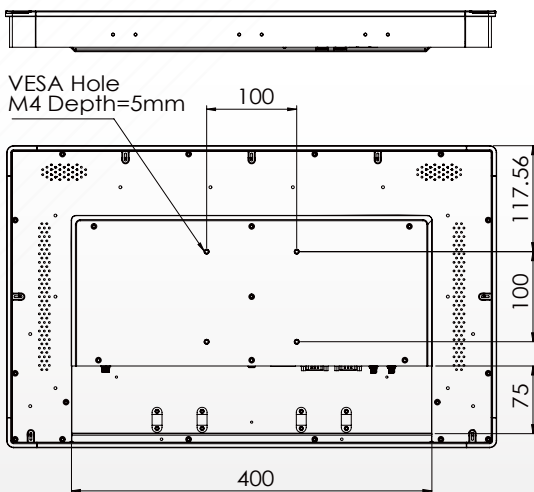
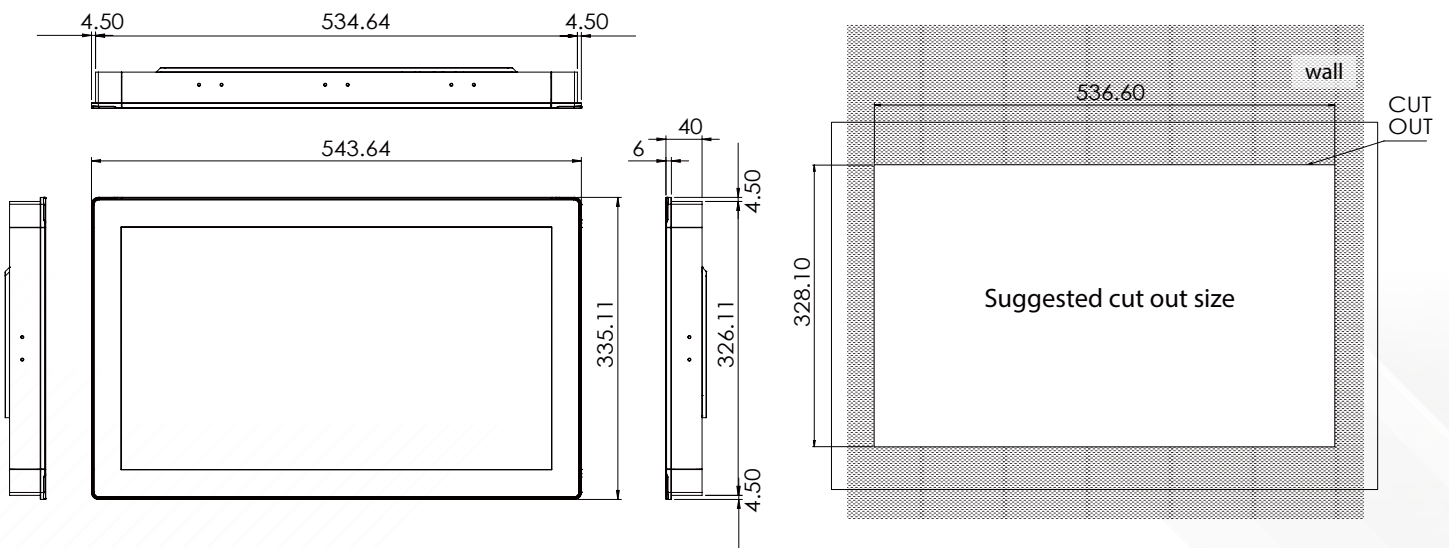
<b>Display &amp; Touch Screen</b>	Size	21.5 TFT LCD	
	Resolution	1920 x 1080	
	Brightness	250 nits (typ.)	
	Contrast Ratio	3000 (typ.)	
	Viewing Angle	80/80/80/80	
<b>System specification</b>	Touch Technology	10 points P-Cap touch panel, support wet mode, glove mode and 5mm stylus Optional 5-wire true flat Resistive touch panel	
	Processor	NXP i.MX8M Quad ARM 4x Cortex A53 1.3GHz	
	Operating System	Android 10	
	System Memory	4GB	
	Storage	16GB	
<b>Wireless communication</b>	WLAN (WiFi)	Optional, WIFI 802.11 a/b/g/n/ac	
	Bluetooth	Optional, BT 5.0	
	WWAN (3G/4G/LTE Cat 1 & Cat 4)	By request, upon customer's request & region	
<b>Audio</b>	Speaker	By request, 2 x 1W Speakers (L/R)	
	Line out	1 x Line out	
<b>System I/O</b>	USB	1 x USB 3.0 Type-C DRP 2 x USB 3.0 ports (Type A)	
	Video	1 x HDMI output 2.0a (support single mode)	
	External I/O	Ethernet (LAN)	1 x 10/100/1000 GbE RJ45
	COM port	1 x RS232 D-sub 9 (Pin9 RI only)	
	COM Port	1 x RS232/422/485 D-sub 9	
	Digital I/O	By request	
	Reset Button	1 x Reset tact-switch push-pin	
	Expansion I/O	SD Card Slot	1 x Micro SD Card Slot support SDXC up to 64GB FAT32
<b>Expansion Module</b>	Optional module	2K Camera RFID/NFC Reader Barcode Reader	
	Dimension (W x L x H)	543.64 x 335.11 x 40(mm)	
	Weight	8.2 kg	
<b>Mechanical &amp; Environment</b>	Mounting	Panel Mount / VESA Mount (100mm x 100mm)	
	Operating Temperature	0°C ~ 50°C	
	Storage Temperature	-20°C ~ 60°C	
	Operating Humidity	10% ~ 90%, non-condensing	
	IP Standard	Front IP65	
	Power Input	1 x 2.5mm DC jack / 9~19V DC in	
<b>Power Management</b>	Power consumption	TBD	
	Adaptor	12V/7.5A Adaptor 100~240Vac	
<b>Certification</b>		CE, FCC	

## Expansion Module



UPC-M01	2K Camera
UPC-M05	HF RFID/NFC Reader
UPC-M07	2D Barcode Reader

## Dimension & IO



- A.** DC Power Input
- B.** 10/100/1000 GbE
- C.** 2 x USB 3.0 ports type A
- D.** USB 3.0 Type-C DRP
- E.** Micro SD Card Slot
- F.** HDMI output 2.0
- G.** RS232 Serial Port
- H.** Reset tact-switch push
- I.** Audio Line Out