

UPC-N101

10.1" Universal Panel Computer – NXP i.MX8M



Feature

- 10.1" Universal Panel Computer with NXP i.MX8M processor
- NXP i.MX8M Quad ARM 4x Cortex A53 1.3GHz Processor
- Android 10
- Projected capacitive multi-touchscreen supporting glove, wet, stylus modes
- Flat and bezel-free touch display
- Fanless design with solid aluminum alloy enclosure
- Front IP65 water & dust-proof
- Flexible mounting selections to accommodate various scenarios
- Optional built-in peripherals and networking modules for various industrial applications
- Expansion modules for various industrial applications

■ Specification

UPC-N101

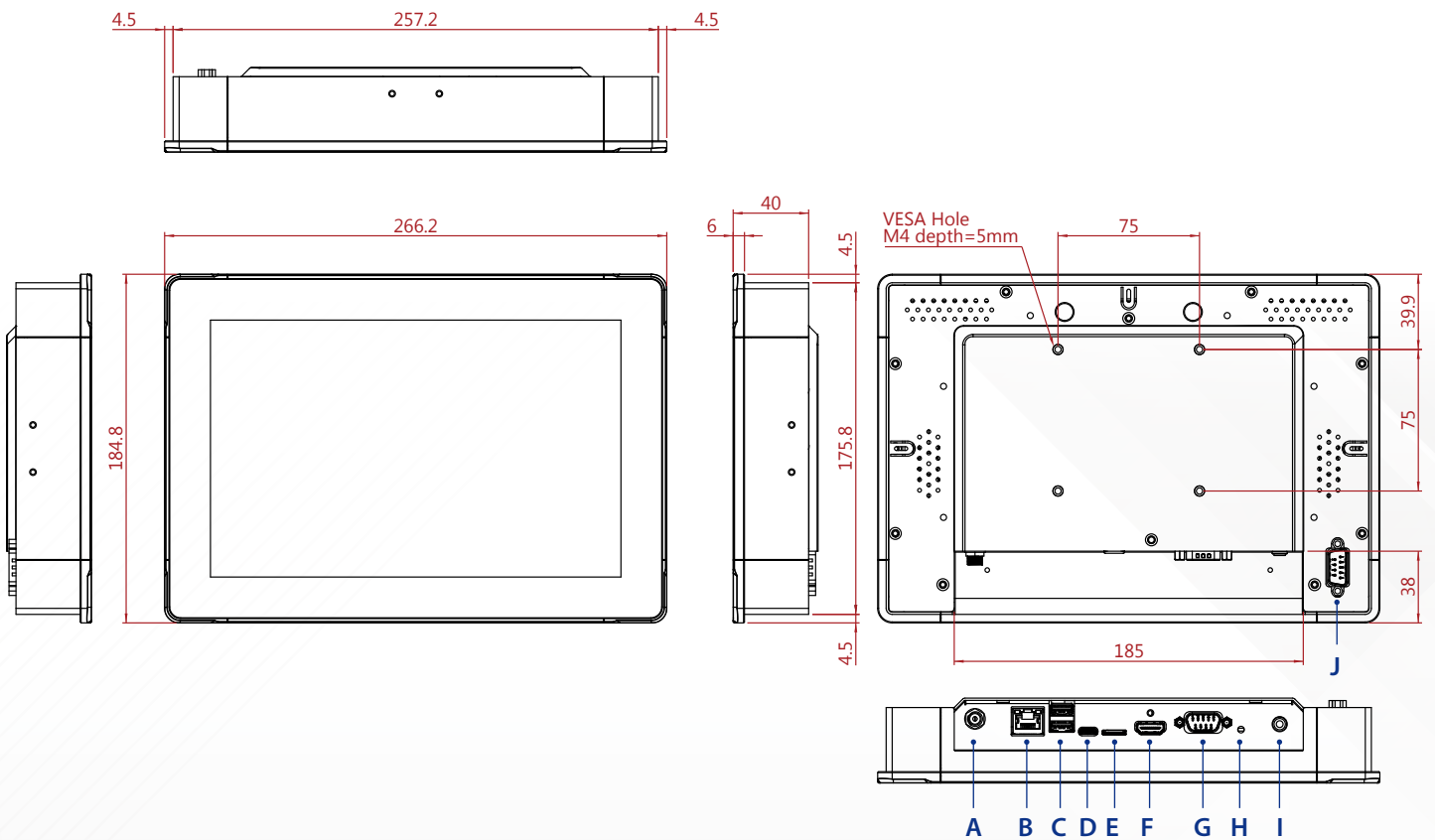
Display & Touch Screen	Size	10.1 TFT LCD
	Resolution	1280 x 800
	Brightness	400 nits (typ.)
	Contrast Ratio	800 (typ.)
	Viewing Angle	85/85/85/85
	Touch Technology	10 points P-Cap touch panel, support wet mode, glove mode and 5mm stylus Optional 5-wire true flat Resistive touch panel
System specification	Processor	NXP i.MX8M Quad ARM 4x Cortex A53 1.3GHz
	Operating System	Android 10
	System Memory	4GB
	Storage	16GB
Wireless communication	WiFi	Optional, WIFI 802.11 a/b/g/n/ac
	Bluetooth	Optional, BT 5.0
	WWAN (3G/4G/LTE Cat 1 & Cat 4)	By request, upon customer's request & region
Audio	Speaker	By request, 2 x 1W Speakers (L/R)
	Line out	1 x Line out
System I/O	USB	1 x USB 3.0 Type-C DRP 2 x USB 3.0 ports (Type A)
	Video	1 x HDMI output 2.0a (support single mode)
	Ethernet (LAN)	1 x 10/100/1000 GbE RJ45
	COM port	1 x RS232 D-sub 9 (Pin9 RI only)
	COM Port	1 x RS232/422/485 D-sub 9
	Digital I/O	By request
	Reset Button	1 x Reset tact-switch push-pin
	Expansion I/O	SD Card Slot
Expansion Module	Optional module	2K Camera RFID/NFC Reader Barcode Reader
	Dimension (W x L x H)	266.2 x 184.8 x 40 (mm)
	Weight	2.5 kg
Mechanical & Environment	Mounting	Panel Mount / VESA Mount (75mm x 75mm)
	Operating Temperature	0°C ~ 50°C
	Storage Temperature	-20°C ~ 60°C
	Operating Humidity	10% ~ 90%, non-condensing
	IP Standard	Front IP65
	Power Input	1 x 2.5mm DC jack / 9~19V DC in
Power Management	Power consumption	TBD
	Adaptor	12V/7.5A Adaptor 100~240Vac
Certification		CE, FCC

Expansion Module



UPC-M01	2K Camera
UPC-M05	HF RFID/NFC Reader
UPC-M07	2D Barcode Reader

Dimension & IO



- A.** DC Power Input
- B.** 10/100/1000 GbE
- C.** 2 x USB 3.0 ports type A
- D.** USB 3.0 Type-C DRP
- E.** Micro SD Card Slot
- F.** HDMI output 2.0
- G.** RS232 Serial Port
- H.** Reset tact-switch push
- I.** Audio Line Out
- J.** RS232/422/485 Serial Port