

UPC-A156

15.6" Universal Panel Computer – Intel Apollo Lake



Feature

- 15.6" Universal Panel Computer with Intel Apollo-Lake processor
- Intel® Pentium® N4200 Quad Core Processor
- Windows 10 IoT Enterprise and Linux Ubuntu 16.04
- Projected capacitive multi-touchscreen supporting glove, wet, stylus modes
- Flat and bezel-free touch display
- Fanless design with solid aluminum alloy enclosure
- Front IP65 water & dust-proof
- Flexible mounting selections to accommodate various scenarios
- Optional built-in peripherals and networking modules for various industrial applications
- Expansion modules for various industrial application

■ Specification

UPC-A156

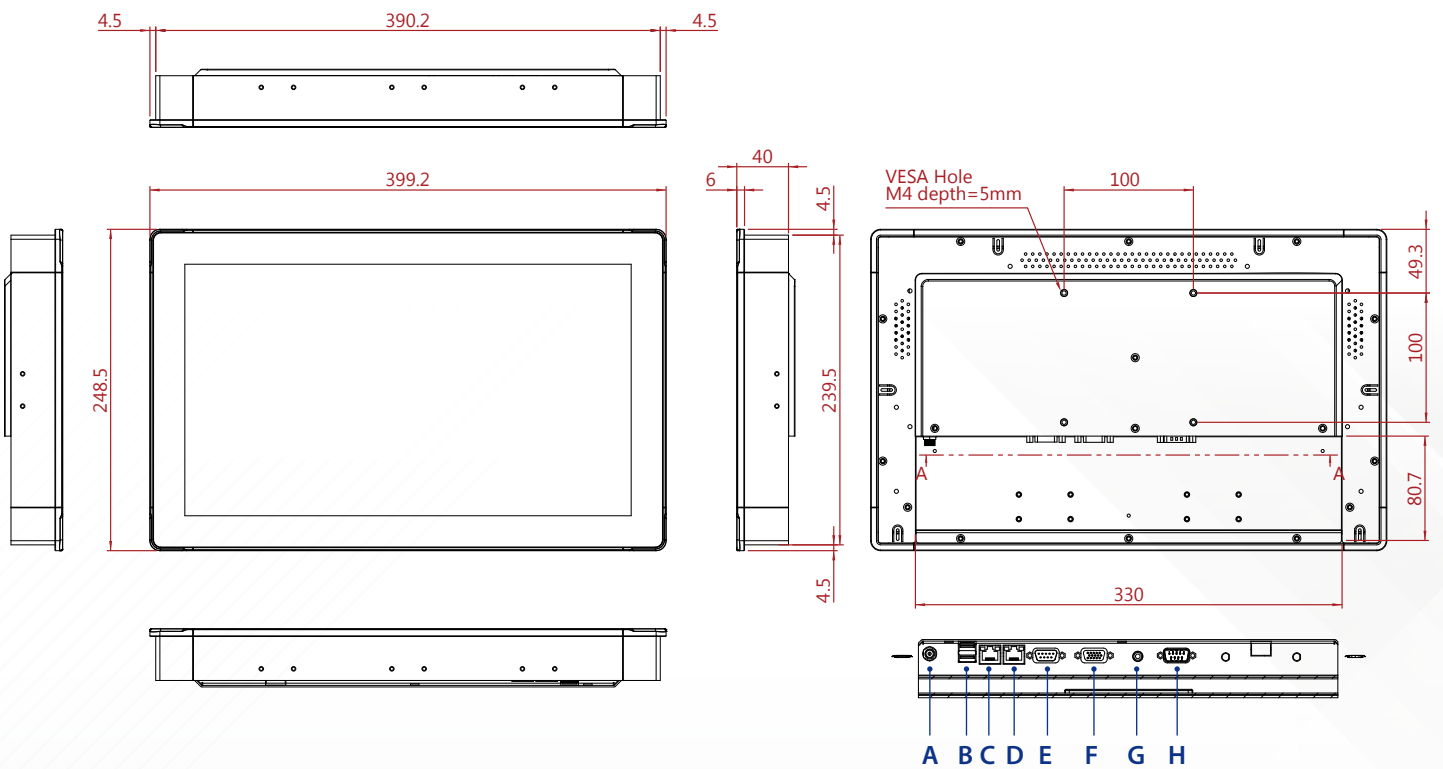
Display & Touch Screen	Size	15.6 TFT LCD	
	Resolution	1366 x 768	
	Brightness	500 nits (typ.)	
	Contrast Ratio	600 (typ.)	
	Viewing Angle	80/80/80/80	
	Touch Technology	10 points P-Cap touch panel, support wet mode, glove mode and 5mm stylus. Optional 5-wire true flat Resistive touch panel	
System specification	Processor	Intel® Pentium® N4200 Quad Core Processor	
	Operating System	Windows 10 IoT Enterprise optional for Ubuntu 16.04 Kernel 4.8.0-36-generic x86_64 and up	
	System Memory	8GB	
	Storage	256GB	
Wireless communication	WLAN (WiFi)	Optional, WIFI 802.11 a/b/g/n/ac	
	Bluetooth	Optional, BT 5.0	
	WWAN (3G/4G/LTE Cat 1 & Cat 4)	By request, upon customer's request & region	
System I/O	Audio	Speaker	By request, 2 x 1W Speakers (L/R)
		Line out	1 x Line out
	External I/O	USB	2 x USB 3.1 Gen1 Type A
		Video	1 x VGA output
		Ethernet (LAN)	2 x 10/100/1000 GbE RJ45, with Intel Ethernet Controller i210/211
		COM port	1 x RS232 D-Sub 9 1 x RS232/422/485 D-Sub 9
		Digital I/O	By request
Expansion Module	Optional module	2K Camera RFID/NFC Reader Barcode Reader	
	Dimension (W x L x H)	399.2 x 248.5 x 40 (mm)	
	Weight	4.5 kg	
Mechanical & Environment	Mounting	Panel Mount / VESA Mount (100mm X 100mm)	
	Operating Temperature	0°C ~ 50°C	
	Storage Temperature	-20°C ~ 60°C	
	Operating Humidity	10% ~ 90%, non-condensing	
	IP Standard	Front IP65	
	Power Management	Power Input	1x 2.5mm DC jack / 9~19V DC in
Power consumption		34 watt	
Adaptor		12V/7.5A Adaptor 100~240Vac	
Certification		CE, FCC	

Expansion Module



UPC-M01	2K Camera
UPC-M05	HF RFID/NFC Reader
UPC-M07	2D Barcode Reader

Dimension & IO



- A. Power Input**
- B. 2x USB 3.1 Gen 1 Type A**
- C. Giga bit Ethernet Port RJ45**
- D. Giga bit Ethernet Port RJ45**
- E. RS232 Serial Port**
- F. VGA Output**
- F. Audio Line Out**
- H. RS232/422/485 Serial Port**