

**SYSGRATION®**

# User Manual

UPC-W101/W156/W215

10.1" / 15.6" / 21.5"  
Universal Panel Computer



**UPC**  
Universal Panel Computer



## Copyright

The documentation and the software included with this product are copyrighted 2019 by Sysgration Co., Ltd. All rights are reserved. Sysgration Co., Ltd. reserves the right to improve the products described in this manual at any time without notice. No part of this manual may be reproduced, copied, translated, or transmitted in any form or by any means without the prior written permission of Sysgration Co., Ltd. The information provided in this manual is intended to be accurate and reliable. However, Sysgration Co., Ltd. assumes no responsibility for its use, nor for any infringements of the rights of third parties that may result from its use.

## Acknowledgements

AMI is a trademark of American Megatrends.

Intel, Atom, Celeron, and Core are trademarks of Intel Corp.

IBM, PC/AT, PS/2 and VGA are trademarks of International Business Machines Corporation.

Microsoft Windows is a registered trademark of Microsoft Corp.

RTL is a trademark of Realtek Semiconductor Co., Ltd.

All other product names or trademarks are properties of their respective owners.

For more information about this or other Sysgration products, please visit our website at <http://www.sysgration.com>

For technical support and service, please visit our support website at <http://www.sysgration.com>

This manual is for UPC-W101/W156/W215.

Part No

Edition 1

Nov 2020

## Declaration of Conformity

FCC Class B



**Note**

This equipment has been tested and found to comply with the limits for a Class B digital device of the FCC Rules. These limits are designed to provide reasonable protection against harmful interference when the equipment is operated in a commercial environment. This equipment generates, uses, and can radiate radio frequency energy and, if not installed and used in accordance with the instruction manual, may cause harmful interference to radio communications. Operation of this equipment in a residential area is likely to cause harmful interference, in such cases users will be required to correct the interference at their own expense.



**Warning**

*Any modifications to this device that are not approved by the relevant standards authority may void the authority granted to the user by the FCC to operate this equipment.*

## Packing List

Before installing the UPC system, check that the following materials have been included in the shipment:

- UPC-W101/W156/W215 unit
- Accessories for UPC-W101/W156/W215
  - Packet of mounting kits
  - DC power converting cable
  - Quick start guide
  - Packet of cable clamps (only available on 15.6" / 21.5")

If any of these items are missing or damaged, contact your distributor or sales representative immediately.

## Technical Support and Assistance

1. Visit the Sysgration website at <http://www.sysgration.com> to obtain the latest product information.
2. Contact your distributor, sales representative, or Sysgration's customer service center for technical support if you need additional assistance. Please have the following information ready before calling:
  - Product name and serial number
  - Description of your peripheral attachments
  - Description of your software (operating system, version, application software, etc.)
  - A complete description of the problem
  - The exact wording of any error messages

## Warnings



Warning

Batteries are at risk of exploding if incorrectly installed. Replace only with the same or equivalent type recommended by the manufacturer. Dispose of used batteries according to the manufacturer's instructions.



Warning

Input voltage rated 12V/7.5A.

Use a 3V/240mA lithium battery

Packing: The unit should be carried with both hands and handled with care.

Maintenance: Use only approved products or a dry applicator to clean and maintain the surfaces.

## Contact information

Manufacturer

Sysgration Co., Ltd.

6Fl., No.1, Sec. 1, Tiding Blvd., Neihu Dist., Taipei City, 11494, Taiwan, R.O.C.

TEL: +886-2-2790-0088

## Safety Instruction

1. Read these safety instructions carefully.
2. Retain this user manual for future reference.
3. Disconnect the equipment from all AC outlets before cleaning. Use only a damp cloth for cleaning. Do not use liquid or spray detergents.
4. For pluggable equipment, the power outlet socket must be located near the equipment and easily accessible.
5. Protect the equipment from humidity.
6. Place the equipment on a reliable surface during installation. Dropping or letting the equipment fall may cause damage.
7. The openings of the enclosure are for air convection. Protect the equipment from overheating. Do not cover the openings.
8. Ensure that the voltage is correct before connecting the equipment to a power outlet.
9. Position the power cord away from high-traffic areas. Do not place anything over the power cord.
10. All cautions and warnings on the equipment should be noted.
11. If unused for a long time, disconnect the equipment from the power source to avoid damage from transient overvoltage.
12. Never pour liquid into an opening. This may cause fire or electrical shock.

13. Never open the equipment. For safety reasons, the equipment should be opened only by qualified service personnel.
14. If one of the following occurs, have the equipment checked by authorized service personnel:
  - The power cord or plug is damaged.
  - Liquid has penetrated the equipment.
  - The equipment has been exposed to moisture.
  - The equipment is malfunctioning or does not operate according to the user manual.
  - The equipment has been dropped and damaged.
  - The equipment shows obvious signs of breakage.
15. Do not store the equipment in an environment where the temperature fluctuates below 20 °C (-4 °F) or above 60°C (140 °F) as this may cause damage. The equipment should be stored in a controlled environment.
16. Batteries are at risk of exploding if incorrectly installed. Replace only with the same or equivalent type recommended by the manufacturer. Discard used batteries according to the manufacturer's instructions.
17. Use only the recommended mounting apparatus to avoid damage due to falling.

DISCLAIMER: These instructions are provided according to IEC 704-1 standards.

Sysgration disclaims all responsibility for the accuracy of any statements contained herein.



**Because of the risk of electric shock, do not remove the equipment cover during operation or when connected to a power outlet.**



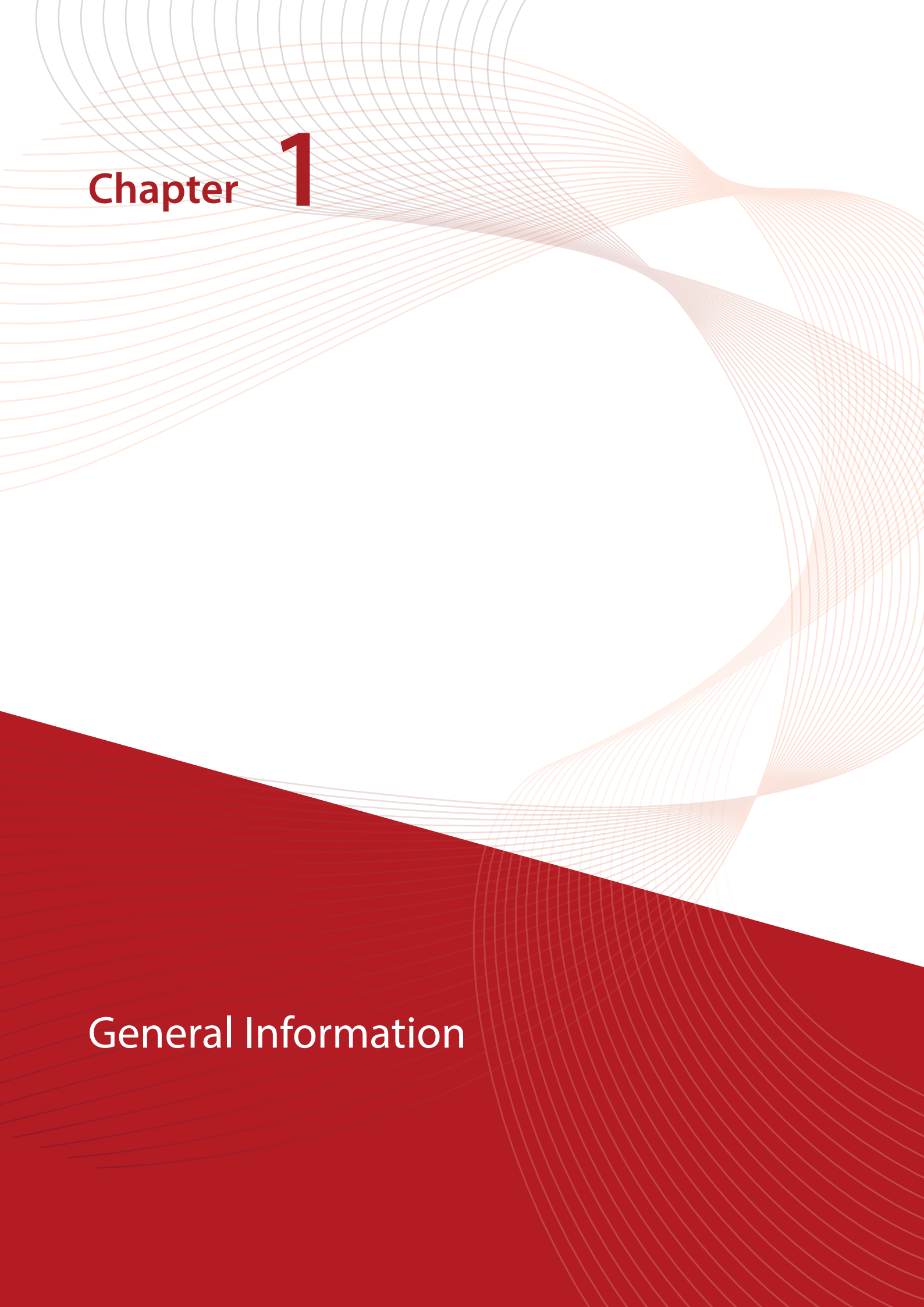
**To avoid short circuits and otherwise damaging the device, do not allow fluids to come in contact with the device. If fluids are accidentally spilled on the equipment, remove the affected unit from service as soon as possible and contact service personnel to verify that personal safety is not compromised. If the computer clock is unable to maintain accurate time or the BIOS configuration resets to default, check the battery.**



**Do not replace the battery yourself. Contact a qualified technician or your retailer. The computer is equipped with a battery-powered real-time clock circuit. There is a danger of explosion if the battery is incorrectly replaced. Replace only with same or equivalent type recommended by the manufacturer. Discard used batteries according to the manufacturer's instructions**

# Content

|  |           |
|--|-----------|
| <b>Chapter 1 / General Information .....</b>       | <b>6</b>  |
| 1. General Information.....                        | 7         |
| 1.1 Introduction.....                              | 7         |
| 1.2 Specification .....                            | 7         |
| 1.2.1 UPC-W101 .....                               | 7         |
| 1.2.2 UPC-W156 .....                               | 8         |
| 1.2.3 UPC-W215 .....                               | 9         |
| 1.3 Dimension.....                                 | 10        |
| 1.3.1 UPC-W101 .....                               | 10        |
| 1.3.2 UPC-W156 .....                               | 10        |
| 1.3.3 UPC-W215 .....                               | 10        |
| <b>Chapter 2 / Getting Started .....</b>           | <b>11</b> |
| 2. Getting Started .....                           | 12        |
| 2.1 Package Content .....                          | 12        |
| 2.2 Front View .....                               | 12        |
| 2.3 Rear View .....                                | 12        |
| 2.4 Side View .....                                | 13        |
| 2.5 Standard I/O Ports.....                        | 13        |
| 2.6 Setup Procedures .....                         | 13        |
| 2.6.1 System Power On.....                         | 13        |
| 2.6.2 BIOS Setup.....                              | 14        |
| 2.6.3 System Software Installation .....           | 14        |
| 2.6.4 Driver Installation .....                    | 14        |
| 2.7 Different touch mode selection.....            | 14        |
| <b>Chapter 3 / Mounting and Installation .....</b> | <b>16</b> |
| 3. Mounting and Installation .....                 | 17        |
| 3.1 Panel Mount Installation .....                 | 17        |
| 3.1.1 UPC-W101, 10.1-inch.....                     | 17        |
| 3.1.2 UPC-W156, 15.6-inch.....                     | 19        |
| 3.1.3 UPC-W215, 21.5-inch.....                     | 21        |
| 3.2 VESA Mount Installation .....                  | 23        |
| 3.3 Expansion Module Installation (Optional) ..... | 24        |
| 3.3.1 UPC-W101 /W156/W215 .....                    | 24        |



**Chapter 1**

**General Information**

# 1. General Information

## 1.1 Introduction

Sysgration's UPC-W series products are 10.1", 15.6", and 21.5" fanless, low-power, all-in-one touch panel computers suitable for use as control room computing devices, production line industrial digital signage, showroom interactive signage, self-service kiosks, and public service terminals, as well as to support diverse digital retail, hospitality, healthcare, education, entertainment, and information processing applications. Featuring a protective enclosure, advanced touchscreen technology, wireless capabilities, and rich I/O, the high-performance UPC-W series can also be integrated with a wide range of optional peripherals and accessories according to specific application requirements.

## 1.2 Specification

### 1.2.1 UPC-W101

|                          |   |  |   |  |
|--------------------------|---|--|---|--|
| Display & Touch Screen   | Size  | 10.1" TFT LCD  |   |  |
|                          | Resolution  | 1280 x 800   |   |  |
|                          | Brightness  | 400nits (Typ.)   |   |  |
|                          | Contrast Ratio  | 800 (Typ.)   |   |  |
|                          | Viewing Angle   | 85/85/85/85  |   |  |
|                          | Touch Technology  | 10 points P-Cap touch panel, support wet mode, glove mode and 5mm stylus.<br>Optional 5-wire true flat Resistive touch panel |   |  |
| System Specification     | Processor   | Intel® Core™ i3-8145UE processor   |   |  |
|                          | Operating System  | Windows 10 IoT Enterprise   optional for Ubuntu 16.04 Kernel 4.8.0-36-generic x86_64 and up                                  |   |  |
|                          | System Memory   | 4GB (up to 64GB), DDR4 2400MHz Non-ECC SO-DIMM x2 (32GB per SO-DIMM)   |   |  |
|                          | Storage   | 64GB M.2   |   |  |
| Wireless communication   | WiFi  | Optional, WIFI 802.11 a/b/g/n/ac   |   |  |
|                          | Bluetooth   | Optional, BT 5.0   |   |  |
|                          | WWAN  | Optional, upon customer's request & region   |   |  |
| System I/O               | Audio   | Speaker  | Optional, 2x 1W Speakers (L/R)  |  |
|                          |   | Line out   | 1x Line out   |  |
|                          | External I/O  | USB  | 4x USB 3.1 Gen2 Type A  |  |
|                          |   | Video  | 1x HDMI output<br>1x DP++ output  |  |
|                          |   | Ethernet (LAN)   | 2x 10/100/1000 GbE RJ45, with Intel Ethernet Controller i210IT and PHY i219LM |  |
|                          | Optional I/O  | COM Port   | Optional RS232/422/485 D-sub 9  |  |
|                          |   | Digital I/O  | Optional 6 DI/DO  |  |
| Expansion I/O            | 1x M.2 B-Key, 3042/2242/2280 (SATA 6Gb/s/ USB3 / USB2) with Nano SIM Holder<br>1x M.2 E-Key, 2230 (PCI-E x1 / USB2 / CNVi)<br>1x M.2 M-Key, 2242/3042 (SATA 6Gb/s / PCI-E x4) |  |   |  |
| Expansion Module         | Optional module   | 5M Camera  |   |  |
|                          |   | Magnetic Strip Reader  |   |  |
|                          |   | Depth Camera   |   |  |
|                          |   | Thermal imager   |   |  |
|                          |   | RFID/NFC Reader  |   |  |
|                          |   | Smart Card Reader  |   |  |
|                          |   | Barcode Reader   |   |  |
|                          |   | Light Bar  |   |  |
| Mechanical & Environment | Dimension (W x L x H)   | 266.2 x 184.8 x 40 (mm)  |   |  |
|                          | Weight  | 2.5 kg   |   |  |
|                          | Mounting  | Panel Mount / VESA Mount (75mm X 75mm)   |   |  |
|                          | Operating Temperature   | 0°C ~ 50°C   |   |  |
|                          | Storage Temperature   | -20°C ~ 60°C   |   |  |
|                          | Operating Humidity  | 10% ~ 90%, non-condensing  |   |  |
|                          | IP Standard   | Front IP65   |   |  |



|                  |                   |  |
|------------------|-------------------|--|
| Power Management | Power Input       | 1x 2.5mm DC jack / 12~24V DC in                |
|                  | Power consumption | 50 watt  |
|                  | Adaptor           | Optional Adaptor 100~240Vac, O/P: 12V/7.5A/90W |
| Certification    |                   | CE, FCC  |

### 1.2.2 UPC-W156

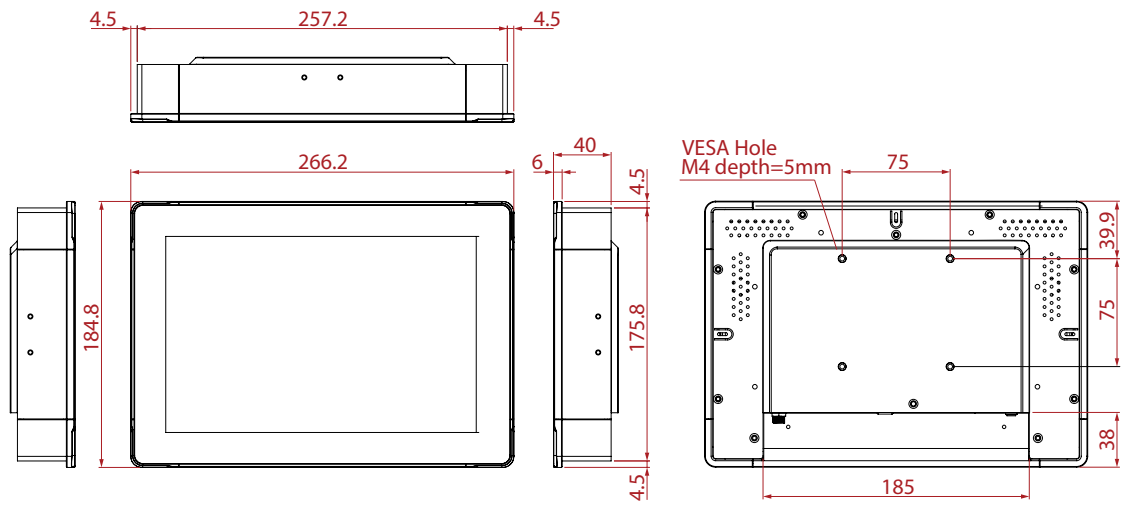
|                          |   |  |   |  |
|--------------------------|---|--|---|--|
| Display & Touch Screen   | Size  | 15.6" TFT LCD  |   |  |
|                          | Resolution  | 1366 x 768   |   |  |
|                          | Brightness  | 500 nits (Typ.)  |   |  |
|                          | Contrast Ratio  | 600 (Typ.)   |   |  |
|                          | Viewing Angle   | 80/80/80/80  |   |  |
|                          | Touch Technology  | 10 points P-Cap touch panel, support wet mode, glove mode and 5mm stylus.<br>Optional 5-wire true flat Resistive touch panel |   |  |
| System Specification     | Processor   | Intel® Core™ i3-8145UE processor   |   |  |
|                          | Operating System  | Windows 10 IoT Enterprise   optional for Ubuntu 16.04 Kernel 4.8.0-36-generic x86_64 and up                                  |   |  |
|                          | System Memory   | 4GB (up to 64GB), DDR4 2400MHz Non-ECC SO-DIMM x2 (32GB per SO-DIMM)   |   |  |
|                          | Storage   | 64GB M.2   Optional 2.5" SATA III HDD/SSD  |   |  |
| Wireless communication   | WLAN (WiFi)   | Optional, WIFI 802.11 a/b/g/n/ac   |   |  |
|                          | Bluetooth   | Optional, BT 5.0   |   |  |
|                          | WWAN (3G/4G/LTE Cat 1 & Cat 4)  | Optional, upon customer's request & region   |   |  |
| System I/O               | Audio   | Speaker  | Optional, 2x 1W Speakers (L/R)  |  |
|                          |   | Line out   | 1x Line out   |  |
|                          | External I/O  | USB  | 4x USB 3.1 Gen2 Type A  |  |
|                          |   | Video  | 1x DP++ output<br>1x HDMI output  |  |
|                          |   | Ethernet (LAN)   | 2x 10/100/1000 GbE RJ45, with Intel Ethernet Controller i210IT and PHY i219LM |  |
|                          | Optional I/O  | COM Port   | Optional RS232/422/485 D-sub 9  |  |
|                          |   | Digital I/O  | Optional 6 DI/DO  |  |
| Expansion I/O            | 1x M.2 B-Key, 3042/2242/2280 (SATA 6Gb/s/ USB3 / USB2) with Nano SIM Holder<br>1x M.2 E-Key, 2230 (PCI-E x1 / USB2 / CNVi)<br>1x M.2 M-Key, 2242/3042 (SATA 6Gb/s / PCI-E x4) |  |   |  |
| Expansion Module         | Optional module   | 5M Camera  |   |  |
|                          |   | Magnetic Strip Reader  |   |  |
|                          |   | Depth Camera   |   |  |
|                          |   | Thermal imager   |   |  |
|                          |   | RFID/NFC Reader  |   |  |
|                          |   | Smart Card Reader  |   |  |
|                          |   | Barcode Reader   |   |  |
| Light Bar                |   |  |   |  |
| Mechanical & Environment | Dimension (W x L x H)   | 399.2 x 248.5 x 40 (mm)  |   |  |
|                          | Weight  | 4.5 kg   |   |  |
|                          | Mounting  | Panel Mount / VESA Mount (100mm X 100mm)   |   |  |
|                          | Operating Temperature   | 0°C ~ 50°C   |   |  |
|                          | Storage Temperature   | -20°C ~ 60°C   |   |  |
|                          | Operating Humidity  | 10% ~ 90%, non-condensing  |   |  |
|                          | IP Standard   | Front IP65   |   |  |
| Power Management         | Power Input   | 1x 2.5mm DC jack / 12~24V DC in  |   |  |
|                          | Power consumption   | 55 watt  |   |  |
|                          | Adaptor   | Optional Adaptor 100~240Vac, O/P: 12V/7.5A/90W   |   |  |
| Certification            |   | CE, FCC  |   |  |

### 1.2.3 UPC-W215

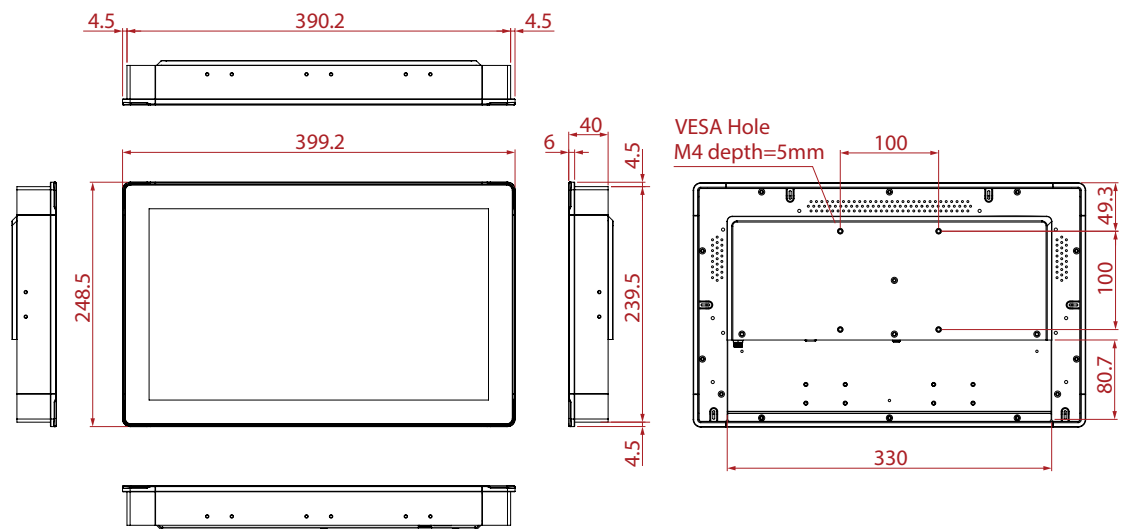
|                          |  |  |   |  |
|--------------------------|--|--|---|--|
| Display & Touch Screen   | Size   | 21.5 TFT LCD   |   |  |
|                          | Resolution   | 1920 x 1080  |   |  |
|                          | Brightness   | 250 nits (Typ.)  |   |  |
|                          | Contrast Ratio   | 3000 (Typ.)  |   |  |
|                          | Viewing Angle  | 80/80/80/80  |   |  |
|                          | Touch Technology   | 10 points P-Cap touch panel, support wet mode, glove mode and 5mm stylus.<br>Optional 5-wire true flat Resistive touch panel |   |  |
| System Specification     | Processor  | Intel® Core™ i3-8145UE processor   |   |  |
|                          | Operating System   | Windows 10 IoT Enterprise   optional for Ubuntu 16.04 Kernel 4.8.0-36-generic x86_64 and up                                  |   |  |
|                          | System Memory  | 4GB DDR4 (up to 64GB), DDR4 2400MHz Non-ECC SO-DIMM x2 (32GB per SO-DIMM)  |   |  |
|                          | Storage  | 64GB M.2   Optional 2.5" SATA III HDD/SSD  |   |  |
| Wireless communication   | WLAN (WiFi)  | Optional, WIFI 802.11 a/b/g/n/ac   |   |  |
|                          | Bluetooth  | Optional, BT 5.0   |   |  |
|                          | WWAN (3G/4G/LTE Cat 1 & Cat 4)   | Optional, upon customer's request & region   |   |  |
| System I/O               | Audio  | Speaker  | Optional, 2x 1W Speakers (L/R)  |  |
|                          |  | Line out   | 1x Line out   |  |
|                          | External I/O   | USB  | 4x USB 3.1 Gen2 Type A  |  |
|                          |  | Video  | 1x DP++ output<br>1x HDMI output  |  |
|                          |  | Ethernet (LAN)   | 2x 10/100/1000 GbE RJ45, with Intel Ethernet Controller i210IT and PHY i219LM |  |
|                          | Optional I/O   | COM Port   | Optional RS232/422/485 D-sub 9  |  |
|                          |  | Digital I/O  | Optional 6 DI/DO  |  |
| Expansion I/O            | 1x M.2 B-Key, 3042/2242/2280 (SATA 6Gb/s / USB3 / USB2) with Nano SIM Holder<br>1x M.2 E-Key, 2230 (PCI-E x1 / USB2 / CNVi)<br>1x M.2 M-Key, 2242/3042 (SATA 6Gb/s / PCI-E x4) |  |   |  |
| Expansion Module         | Optional module  | 5M Camera  |   |  |
|                          |  | Magnetic Strip Reader  |   |  |
|                          |  | Depth Camera   |   |  |
|                          |  | Thermal imager   |   |  |
|                          |  | RFID/NFC Reader  |   |  |
|                          |  | Smart Card Reader  |   |  |
|                          |  | Barcode Reader   |   |  |
| Light Bar                |  |  |   |  |
| Mechanical & Environment | Dimension (W x L x H)  | 543.64 x 335.11 x 40(mm)   |   |  |
|                          | Weight   | 8.2 kg   |   |  |
|                          | Mounting   | Panel Mount / VESA Mount (100mm X 100mm)   |   |  |
|                          | Operating Temperature  | 0°C ~ 50°C   |   |  |
|                          | Storage Temperature  | -20°C ~ 60°C   |   |  |
|                          | Operating Humidity   | 10% ~ 90%, non-condensing  |   |  |
|                          | IP Standard  | Front IP65   |   |  |
| Power Management         | Power Input  | 1x 2.5mm DC jack / 12~24V DC in  |   |  |
|                          | Power consumption  | 57 watt  |   |  |
|                          | Adaptor  | Optional Adaptor 100~240Vac, O/P: 12V/7.5A/90W   |   |  |
| Certification            |  | CE, FCC  |   |  |

### 1.3 Dimension

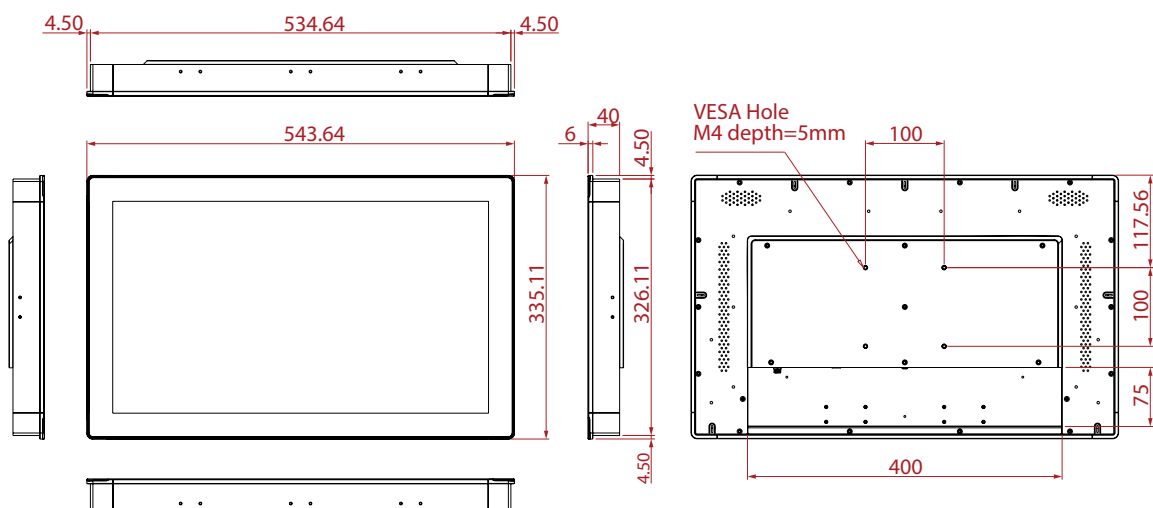
#### 1.3.1 UPC-W101



#### 1.3.2 UPC-W156



#### 1.3.3 UPC-W215



The background features a series of thin, overlapping lines in shades of light red and orange that flow and curve across the page. At the bottom, there is a solid red gradient that transitions from a lighter shade on the left to a darker shade on the right.

# Chapter 2

Getting Started

## 2. Getting Started

Before beginning system setup, take a moment to become familiar with the package content, connector locations and functions, as shown in the figures below.

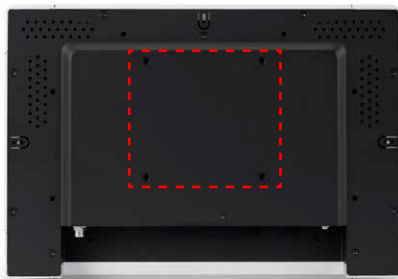
### 2.1 Package Content

- Panel Computer
- Packet of mounting kits
- DC power converting cable
- Quick start guide
- Packet of cable clamps (only available on 15.6" / 21.5")

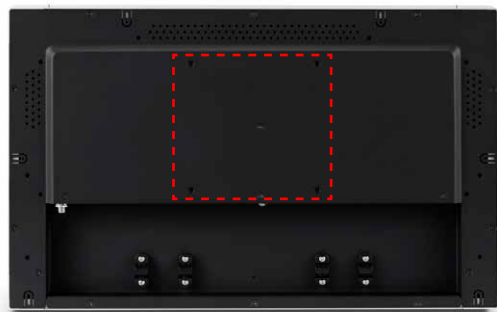
### 2.2 Front View



### 2.3 Rear View



10.1" Rear View



15.6" / 21.5" Rear View



#### Note

- Use only VESA-compatible floor, stand, and wall mount kits
- Refer to Section 2.5 regarding system I/O according to UPC model

## 2.4 Side View

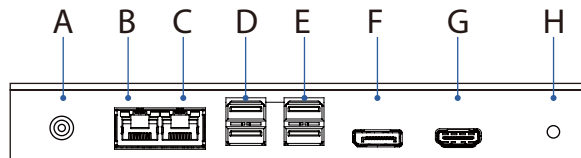


### Note

**Mounting hole for expansion module and panel mount**  
**The UPC-W series features flat frame for easy optional expansion module integration**  
**Refer to [Section 3.1](#) for installation information.**

## 2.5 Standard I/O Ports

UPC-W101 / UPC-W156 / UPC-W215



A. Power Input

B. Giga bit Ethernet Port RJ45

C. Giga bit Ethernet Port RJ45

D. 2x USB3.1 Gen 2

E. 2x USB3.1 Gen 2

F. DP++ Output

G. HDMI Output

H. Audio Line-Out

## 2.6 Setup Procedures

### 2.6.1 System Power On

1. For the UPC-W101/ UPC-W156/ UPC-W215 model, connecting the system to a DC power source or external power supply via DC in Jack
2. Hold power cords by the plugs ends only. Refer to Section 2.5 for the location of the DC power.
3. After DC input, the system will be activated automatically.

## 2.6.2 BIOS Setup

For most UPC series, the system setup and configuration will be completed by the manufacturer or system integrator prior to delivery. However, users may still need to access the BIOS setup program to adjust the system configuration, such as the date/ time or hard drive type by pressing the “Delete button” after powering the unit.

## 2.6.3 System Software Installation

The UPC is optionally available with or without operating system. During the installation of third party operating system, users must integrate all software components required for the operating system by themselves.



### Note

***Before software or driver installation, the system must be equipped with additional storage that users must purchase separately.***

## 2.6.4 Driver Installation


After installing the system software, users can set up the Ethernet, XGA, audio, and touchscreen functions.



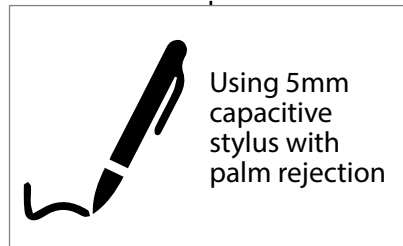
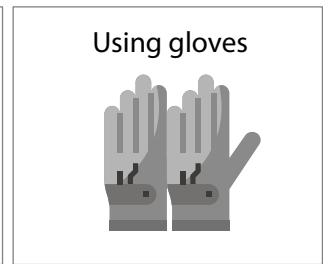
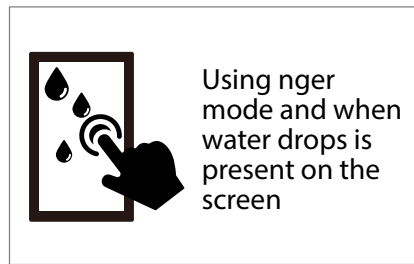
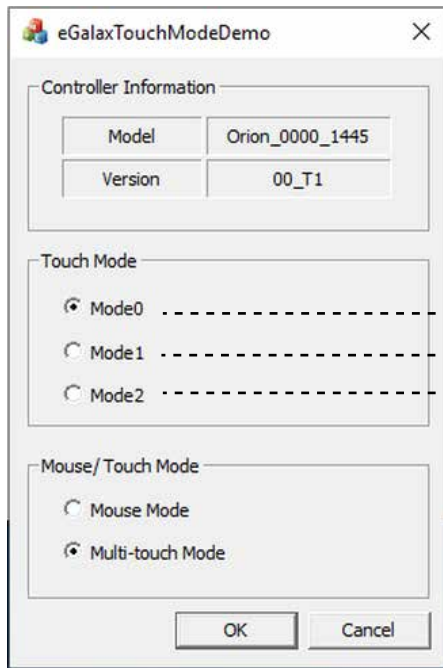
### Note

***The relevant drivers and utilities are subject to change without notice. Download the latest drivers for UPC series products from the Sysgration website at <http://support.sysgration.com> or contact our application engineers for further assistance.***

## 2.7 Different touch mode selection

UPC has a capacitive touch screen that able to responds to fingertips, certain type of gloves and a capacitive tipped stylus. User can change the touchscreen mode to suit user scenario. Click the  eGalaxTouchModeDemo program to open the settings menu and select one of the options (as shown below)

|       |  |
|-------|--|
| Mode0 | Select this if user prefers using finger mode and when water drops is present on the screen  |
| Mode1 | Select this if user prefers using gloves   |
| Mode2 | Select this if user prefers using 5mm capacitive stylus with palm rejection that allows user to rest their hand on the screen while writing or touching without making unwanted interference |



**Note**

Different type of gloves characteristics, materials, and design will have different results on the touch performance



The background features a series of thin, overlapping, wavy lines in shades of light red and orange, creating a sense of motion and depth. These lines flow from the top left towards the bottom right. At the bottom of the page, there is a solid red gradient that transitions from a darker red on the left to a lighter red on the right.

# Chapter 3

## Mounting and Installation

### 3. Mounting and Installation

Sysgration's UPC series systems are PC-based computers housed in an aluminum enclosure. To perform system maintenance or hardware upgrades, such as installing an HDD, DRAM, simply remove the unit's rear cover.



**Warning**

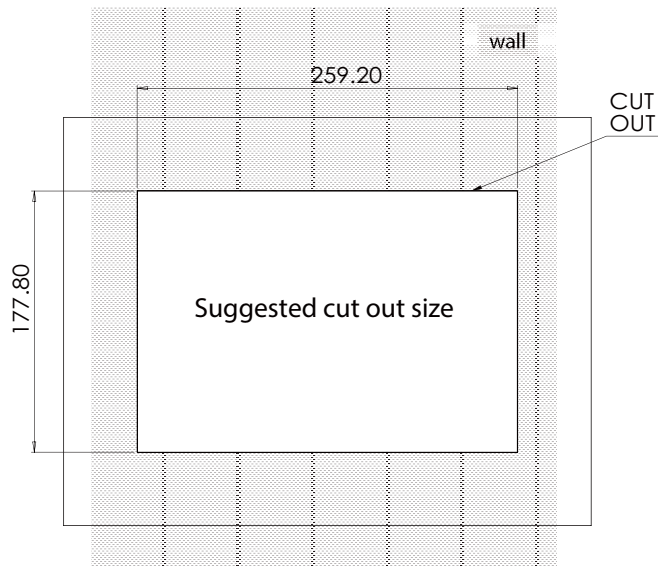
*Do not remove the rear cover until you have verified that power is not flowing within the device. The system power should be switched off and the power cord unplugged before opening the device enclosure.*

*Opening the device enclosure will void the warranty*

#### 3.1 Panel Mount Installation

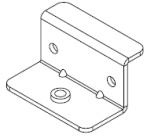


##### 3.1.1 UPC-W101, 10.1-inch

Panel mount cut out



10.1" Panel mount cut out

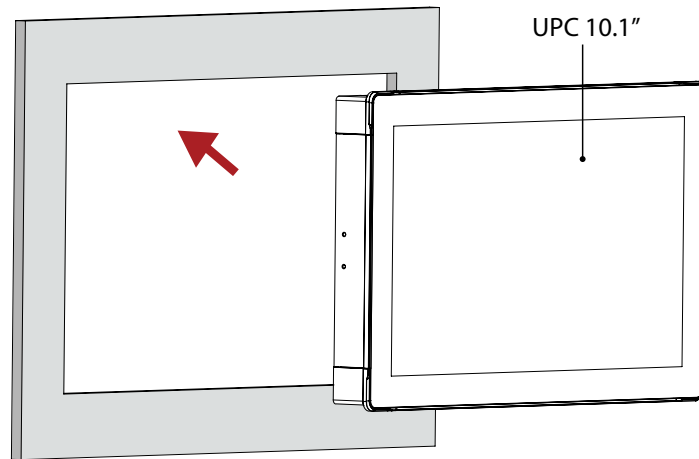
Panel mount bracket mounting kit

|          |   |  |   |
|----------|---|--|---|
| Quantity |  |  |  |
|          | Mounting bracket<br>3 pcs   | M4 x 20mm screw<br>3 pcs   | M3 x 6mm screw<br>6 pcs   |

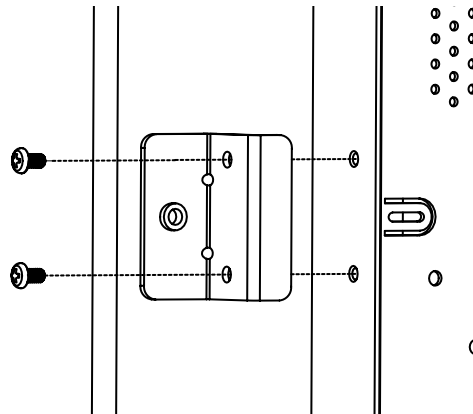
Installation Step

1. Prepare a panel for specific dimension of the UPC and then cut a hole according to the cutout dimension

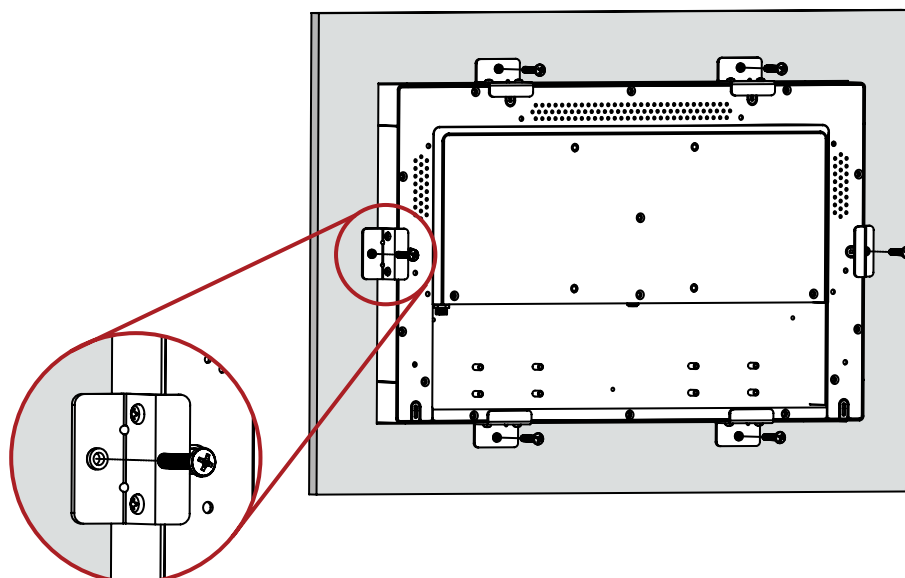
2. Insert the UPC properly into the cut out area



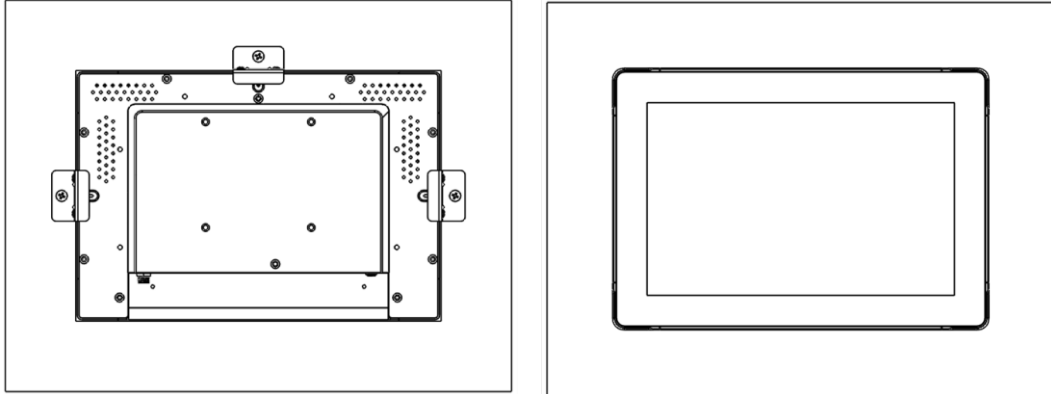
3. Place the mounting bracket to the UPC and then fasten it using M3 x 6 mm screw with torque maximum 4 kgf-cm, tighten each mounting bracket on every side until each of it is firmly tightened



4. Fasten the M4 x 20 mm screw to fix the bracket to the panel

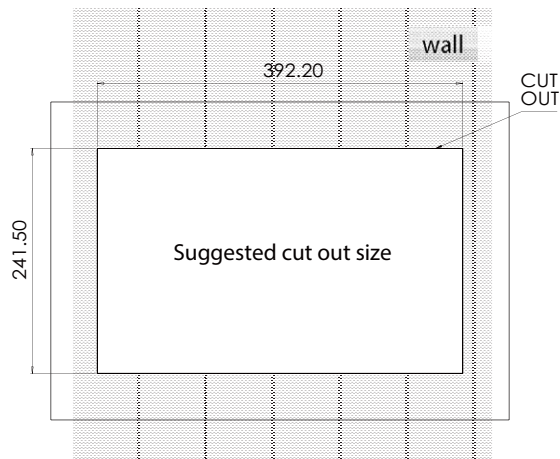


5. Installation complete



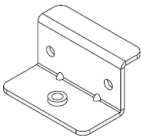
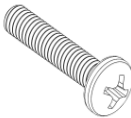

3.1.2 UPC-W156, 15.6-inch

Panel mount cut out



15.6" Panel mount cut out

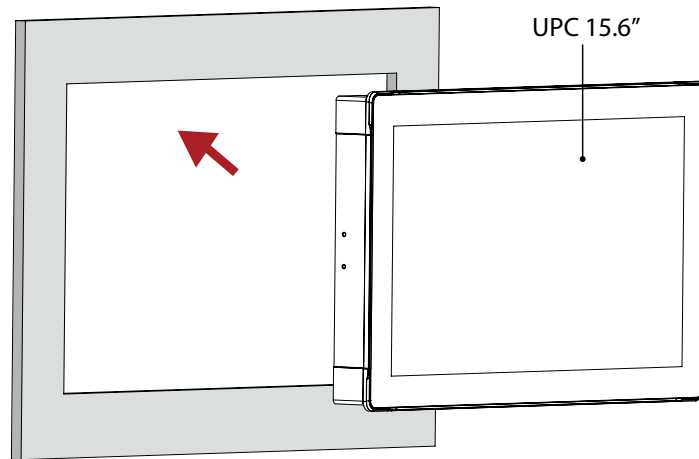
Panel mount bracket mounting kit

|          |   |  |   |
|----------|---|--|---|
| Quantity |  |  |  |
|          | Mounting bracket<br>6 pcs   | M4 x 20mm screw<br>6 pcs   | M3 x 6mm screw<br>12 pcs  |

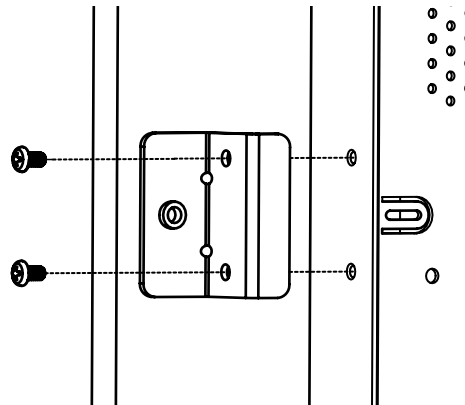
Installation Step

1. Prepare a panel for specific dimension of the UPC and then cut a hole according to the cutout dimension

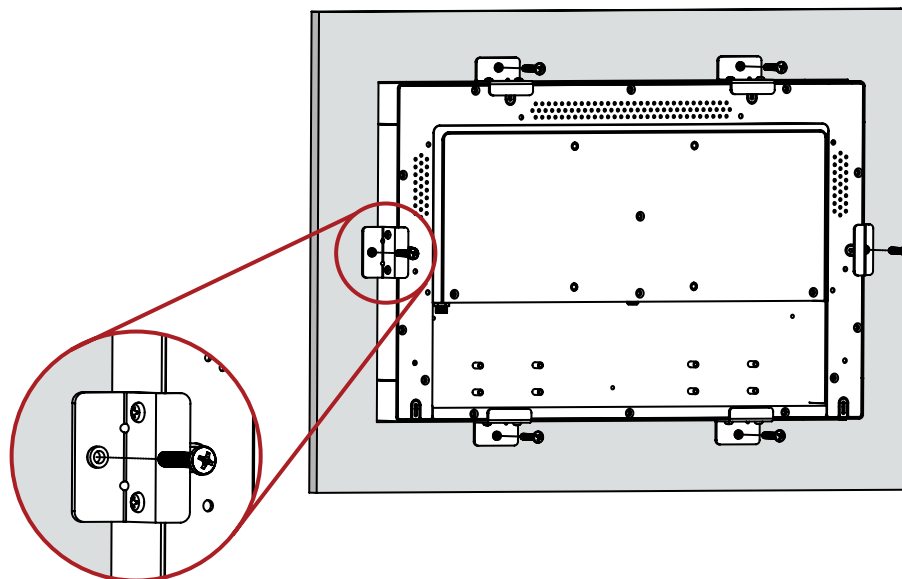
2. Insert the UPC properly into the cut out area



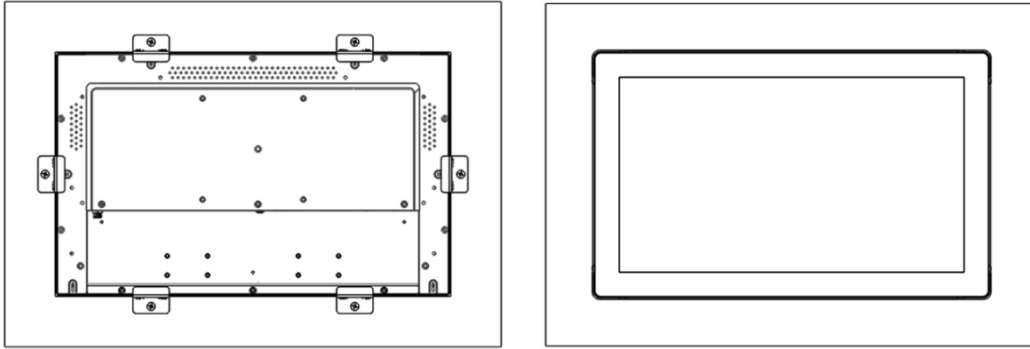
3. Place the mounting bracket to the UPC and then fasten it using M3 x 6 mm screw with torque maximum 4 kgf-cm, tighten each mounting bracket on every side until each of it is firmly tightened



4. Fasten the M4 x 20 mm screw to fix the bracket to the panel

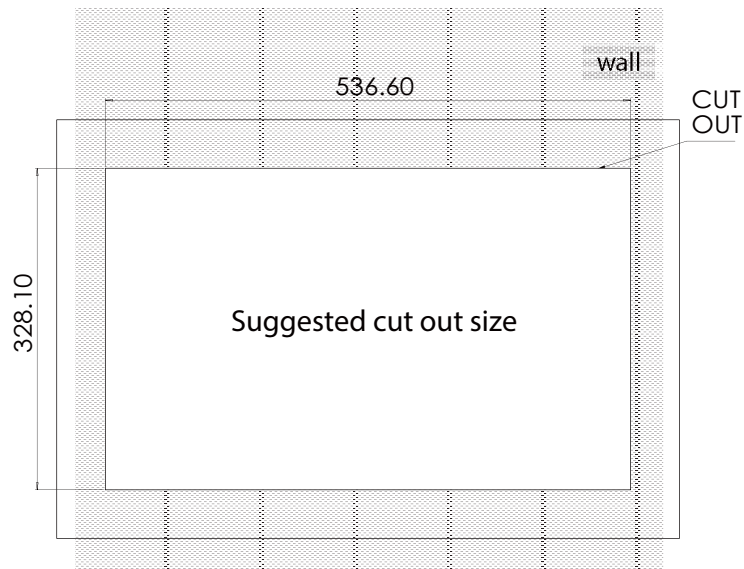


## 5. Installation Complete



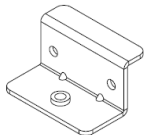
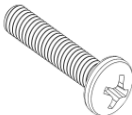

### 3.1.3 UPC-W215, 21.5-inch

#### Panel mount cut out



21.5" Panel mount cut out

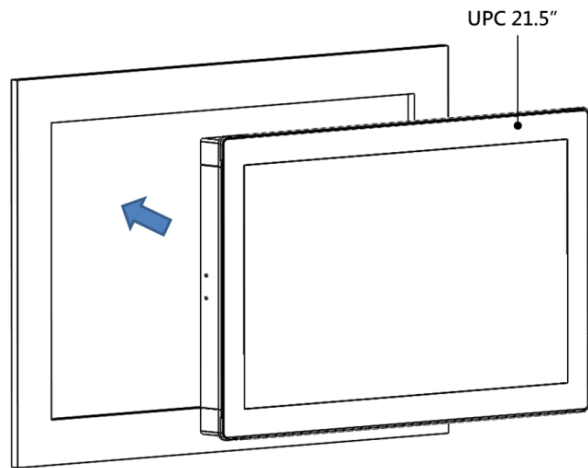
#### Panel mount bracket mounting kit

|          |   |  |   |
|----------|---|--|---|
| Quantity |  |  |  |
|          | Mounting bracket<br>8 pcs   | M4 x 20mm screw<br>8 pcs   | M3 x 6mm screw<br>16 pcs  |

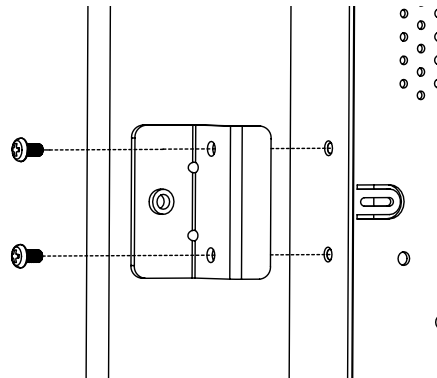
#### Installation Step

1. Prepare a panel for specific dimension of the UPC and then cut a hole according to the cutout dimension

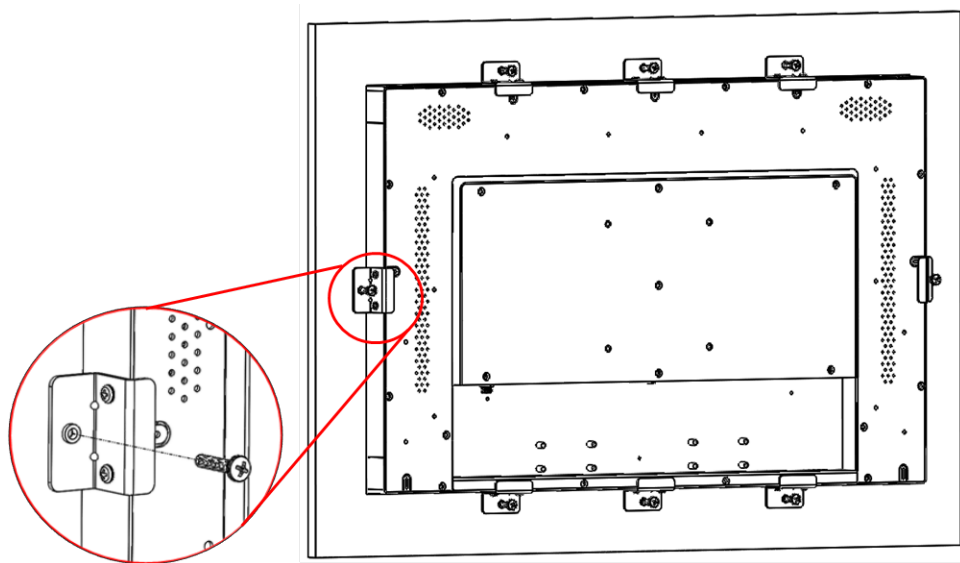
2. Insert the UPC properly into the cut out area



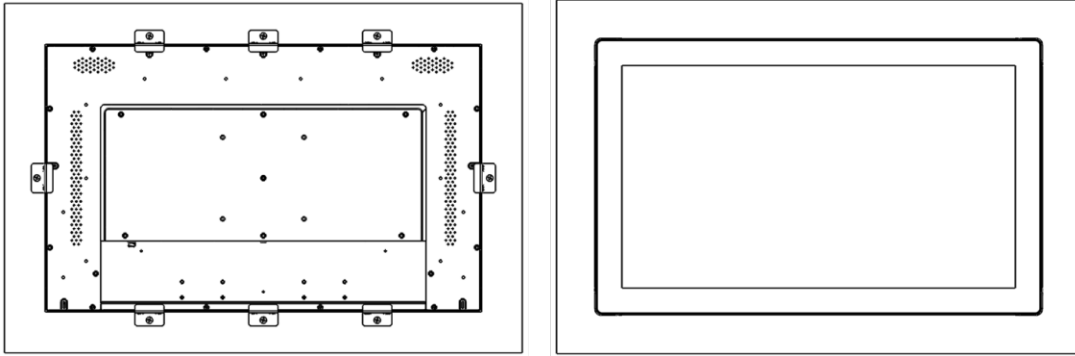
3. Place the mounting bracket to the UPC and then fasten it using M3 x 6 mm screw with torque maximum 4 kgf-cm, tighten each mounting bracket on every side until each of it is firmly tightened



4. Fasten the M4 x 20 mm screw to fix the bracket to the panel

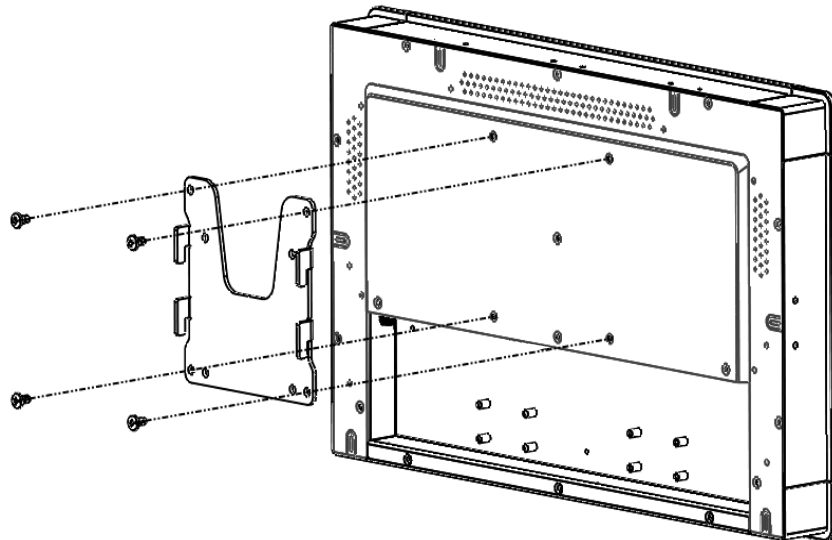


## 5. Installation Complete



### 3.2 VESA Mount Installation

UPC-W101 can be mounted to a VESA 75 x 75 and UPC-W156/W215 can be mounted to a VESA 100 X 100 mounting system.



#### Note

- Rear view with holes (M4-depth 5 mm) for VESA 75/100 Mounting
- UPC has to be installed and operated only by trained personnel
- Please make sure the VESA Plate supporting weight is appropriate for different sizes and weight of UPC



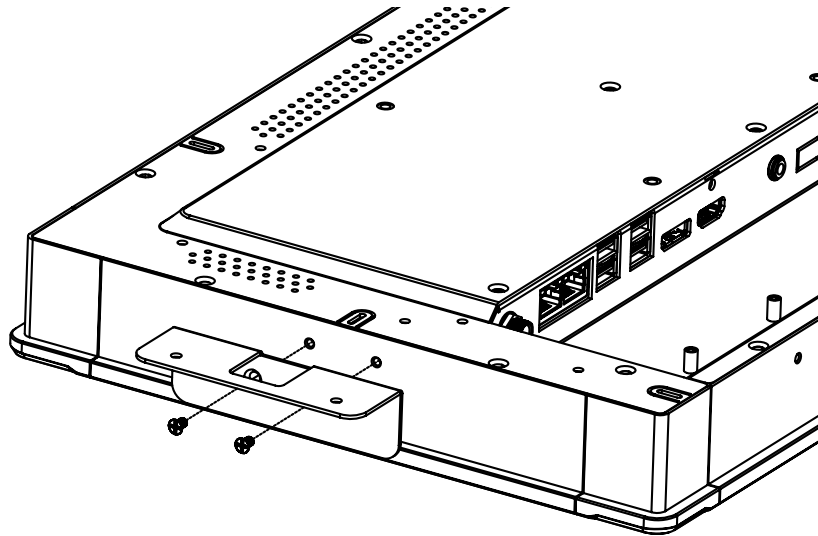
Use proper mounting equipment to prevent serious injury



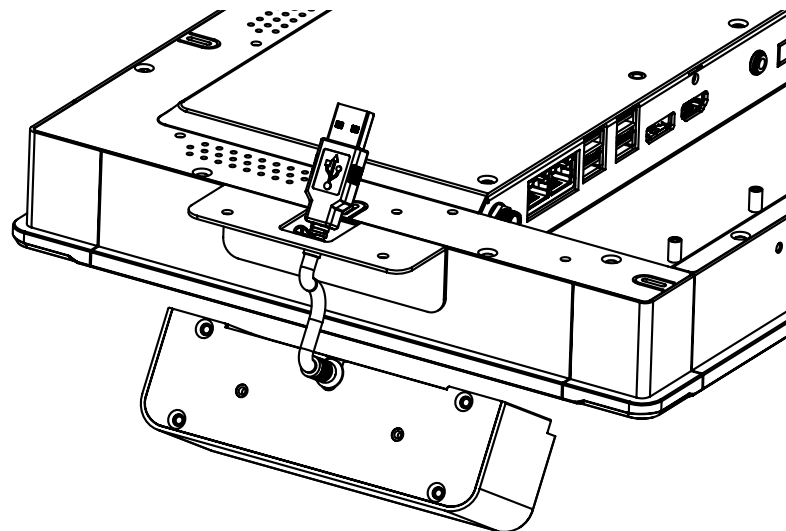
### 3.3 Expansion Module Installation (Optional)

#### 3.3.1 UPC-W101 /W156/W215

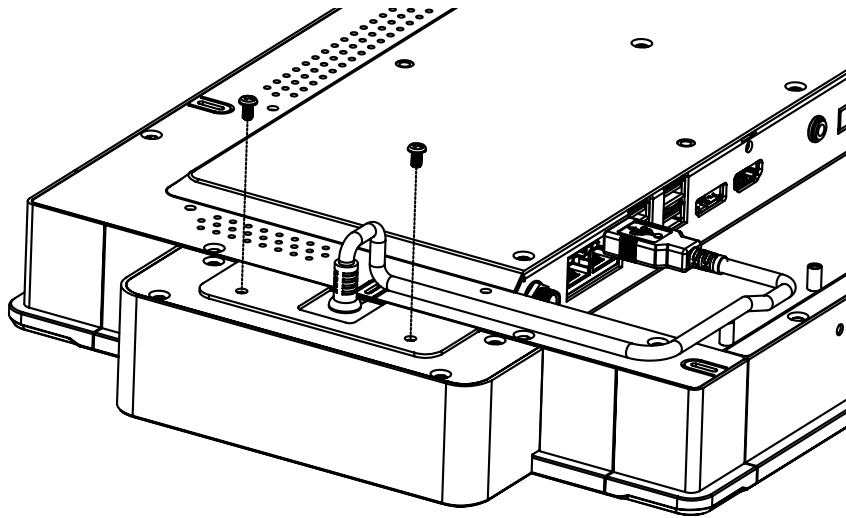
1. Secure module mounting bracket to the UPC system using M3 x 5mm screw with torque maximum 4 kgf-cm.



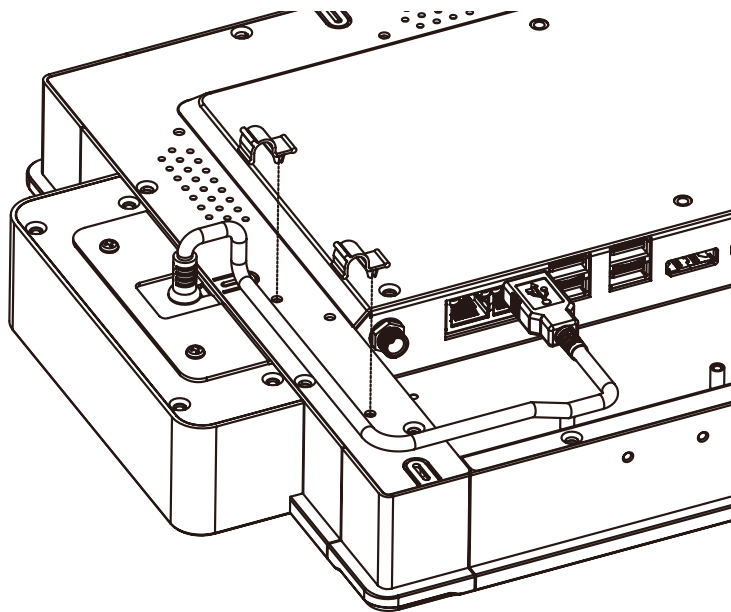
2. Pass the cable into cutting hole on the mounting bracket and then secure expansion module to the mounting bracket



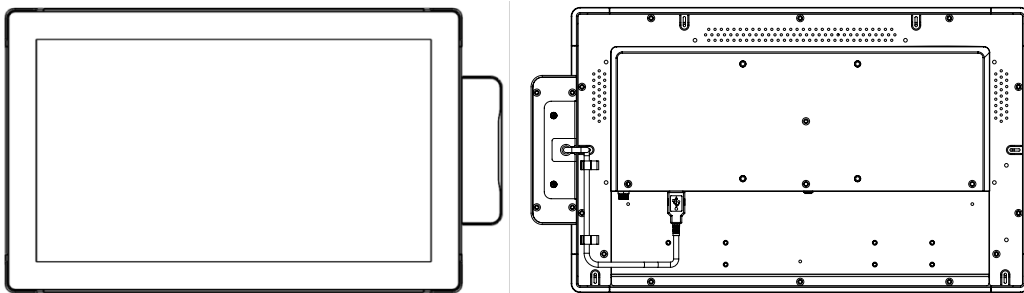
3. Fasten the expansion module into the mounting bracket using M3 x 5mm screw with torque maximum 4 kgf-cm.



4. Organize USB cable behind panel computer to neatly attached (using the clamp cable) to the back of your panel computer and then connect the USB cable to I/O port (USB)



5. Installation Complete





# **SYSGRATION®**

[www.sysgration.com](http://www.sysgration.com)

Please verify specifications before quoting. This guide is intended for reference purposes only.

All product specifications are subject to change without notice.

No part of this publication may be reproduced in any form or by any means, such as electronically, by photocopying, recording, or otherwise, without prior written permission from the publisher.

All brand and product names are trademarks or registered trademarks of their respective companies.

@Sysgration Ltd.