

UPC-M05

Expansion Module – NFC/RFID Reader



Front side

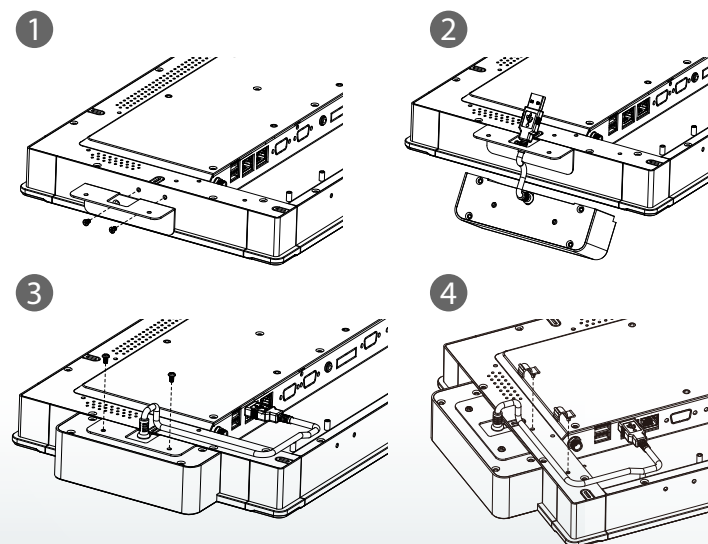


Rear side

■ Specification

Support Protocols	<ul style="list-style-type: none"> • ISO 14443A/B, All bit rates: 106 kbps • ISO 15693, all modes Downlink 1 of 3 and 1 of 256 Uplink 6.6/13/26/53 kpbs with 1 & 2 sub-carrier
Card Type	<ul style="list-style-type: none"> • ISO 14443A MIFARE™ Standard, MIFARE 4K, MIFARE Ultralight, MIFARE Ultralight C, MIFARE DESFire®, MIFARE DESFire EV1 • ISO 14443B Smartcard ISO14443, SRI4K, SRI512 • ISO 15693 SIC5600, ICODE-SLI-L, ICODE-SLIS Read payware and paypass and E-passport ISO7816 T=CL Supported NFC TAG 1~4 supported Felica READ UID
Frequency	13.56MHz Standard
Read Range	Mifare: 1~3 cm ISO 15693: 2~4 cm
Transponder	Read / Write
OS Support	Windows 10
Interface	USB HID (Cable Length: 60cm)
Dimensions	130 x 35 x 40 mm
Operating Temperature	0°C ~ 60°C

■ Installation steps



■ Dimension

