

AIX-800

Edge AI Box



Feature

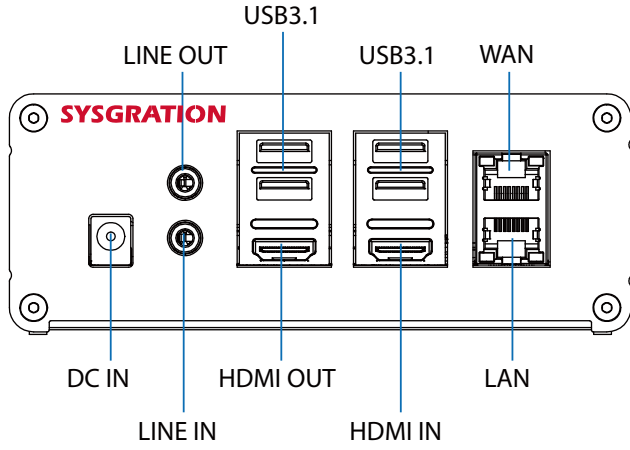
- Smart edge computing terminal developed on Qualcomm Dragonwing™ QCS8550
- Integrated high-performance graphics and comprehensive computing power to 48TOPS AI Engine
- Supports 5G, 4G, Wi-Fi 7(2.4G/5G/6GHz) BT 5.3, GNSS
- Various industrial interfaces, including USB 3.1/ USB type C HDMI/ Audio/ LAN
- Supports Android, Yocto Linux
- Application: Defect detection, Transportation & Logistic, Retail, Security monitoring, Robotics, Autonomous Mobile Robots

■ Specification

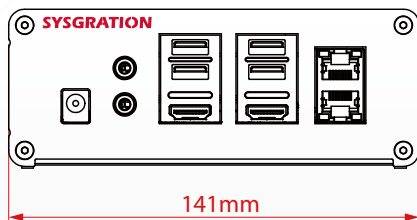
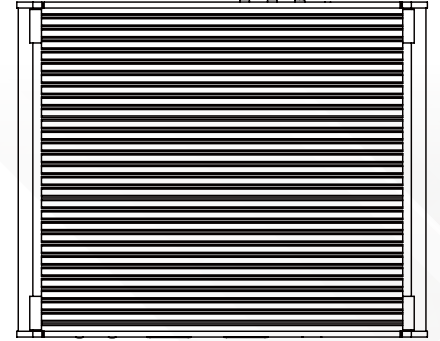
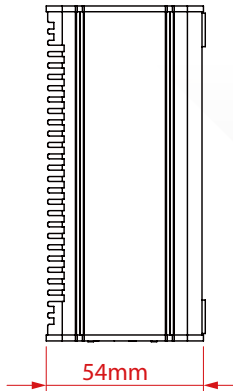
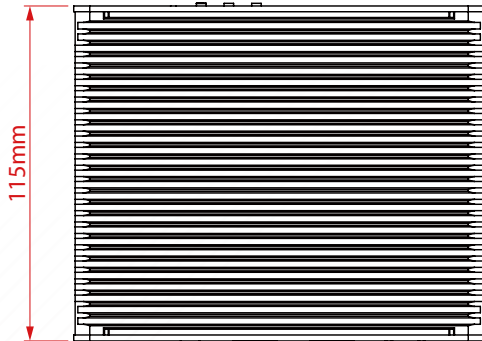
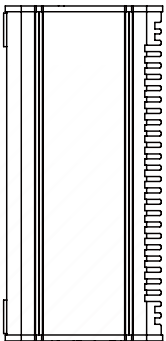
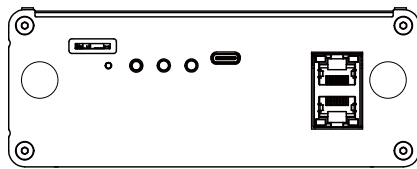
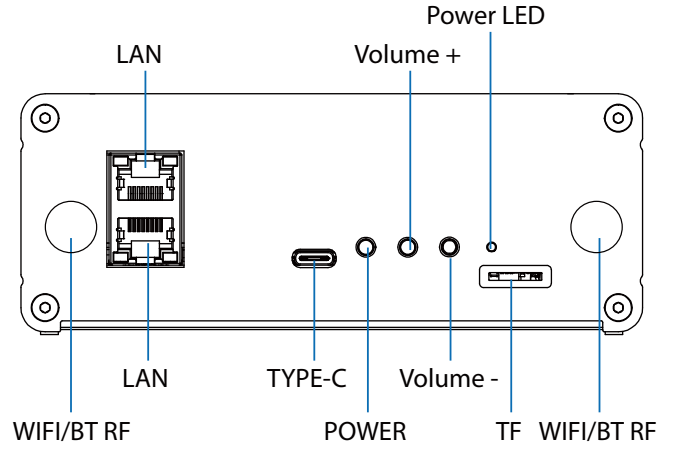
CPU		Qualcomm Dragonwing™ QCS8550 Octa-core Kryo 64-bit CPU 1 x Gold @ 3.2GHz ; 4 x Gold @ 2.8GHz ; 3 x Silver @2.0 GHz
GPU		Adreno 740
Operating System		Android 13 / Yocto
Storage	RAM	LPDDR5x, 16 GB
	ROM	UFS, 128 GB
Power	DC_IN	12V~24V, Wide voltage input
Wireless Communications	Wi-Fi	802.11be, 2.4G/5G/6G DBS, 2*2 MIMO
	BT	5.3
	Cellular	5G/4G (Option)
Dimension		141 x 115 x 54 mm
Operating Temp		- 20 °C to 60 °C
Interface	USB	USB-A 3.1 x 4, USB-C 3.1 x 1 (DP over type-c)
	HDMI	HDMI_IN x 1 ; HDMI_OUT x 1
	WAN	x 1 (100/1000 Mbps)
	LAN	x 3 (100/1000 Mbps)
	Micro SD slot	x 1
	SIM	x 1
	Module Antenna	2 x Wi-Fi/BT (SKU1), 4 x Cellular and GNSS (SKU2)
Expansion I/O (Internal)	M.2	SSD (SKU1), 5G (SKU2)

Dimension & IO

Front View



Rear View



SYSGRATION®

6Fl., No.1,Sec.1, Tiding Blvd., Neihu Dist., Taipei City, Taiwan
marketing.amd@sysgration.com | 02-2790-0088 | www.sysgration.com

All product specifications are subject to change without notice.

Last updated: 06-Mar-2025 v1